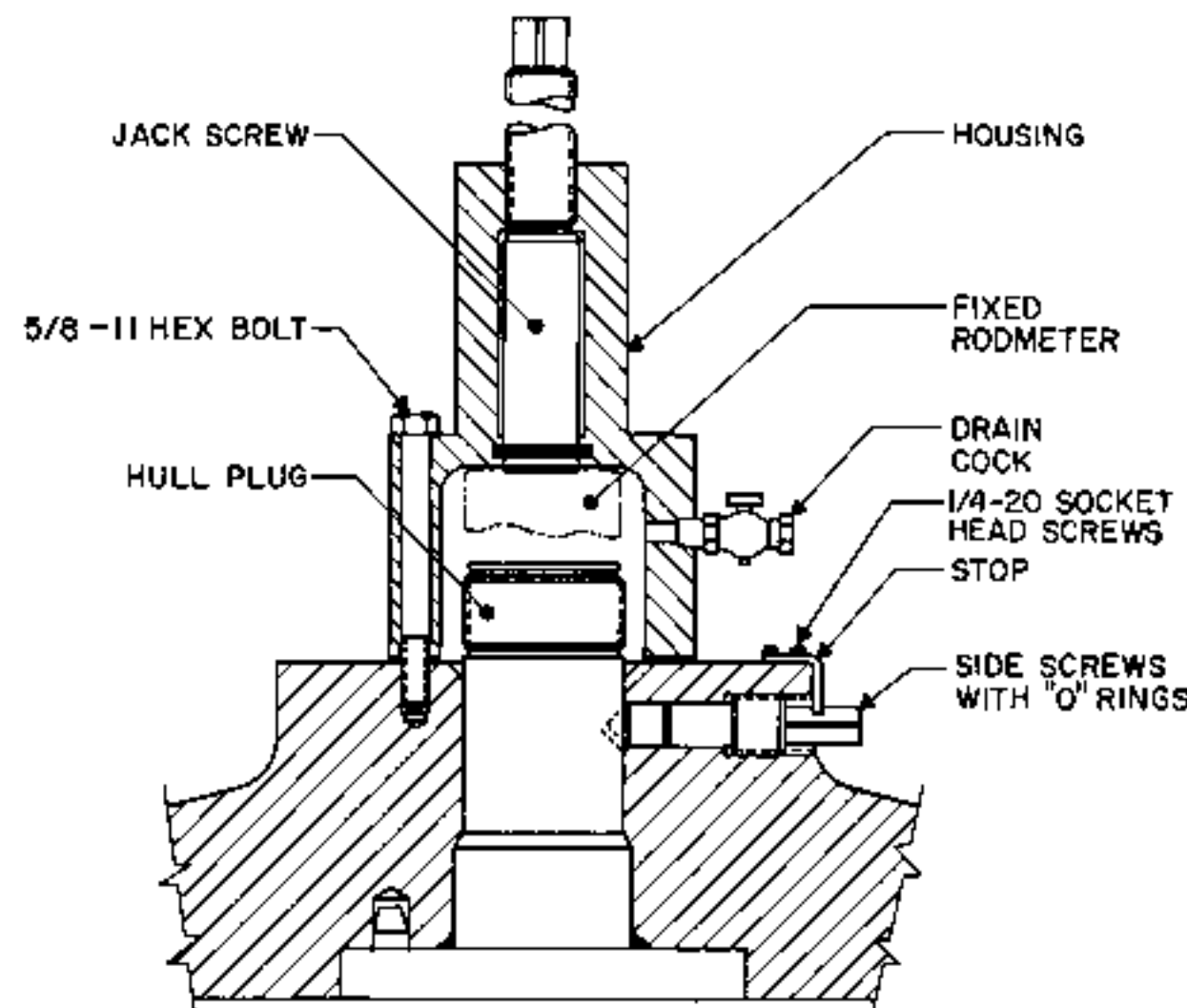
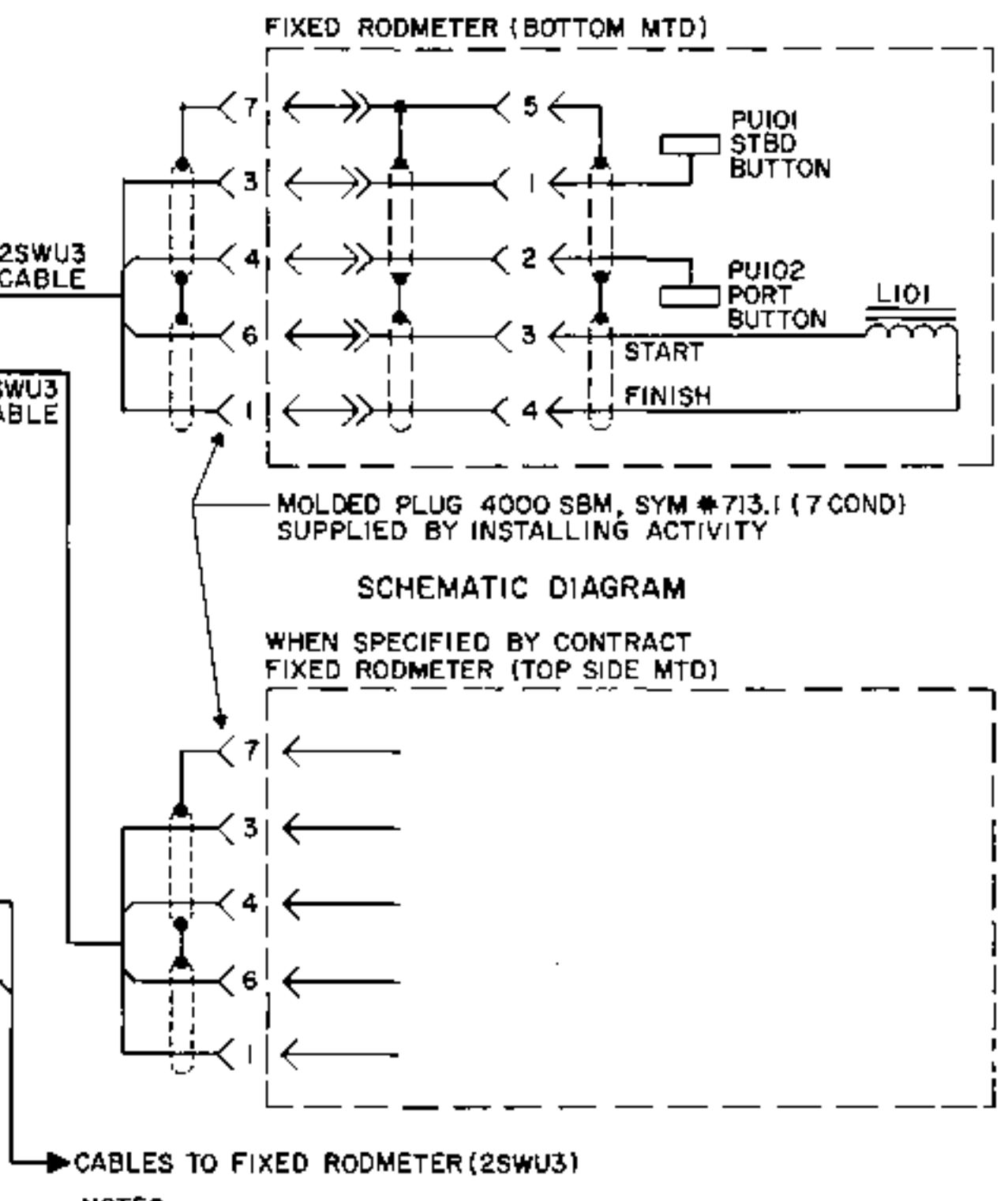
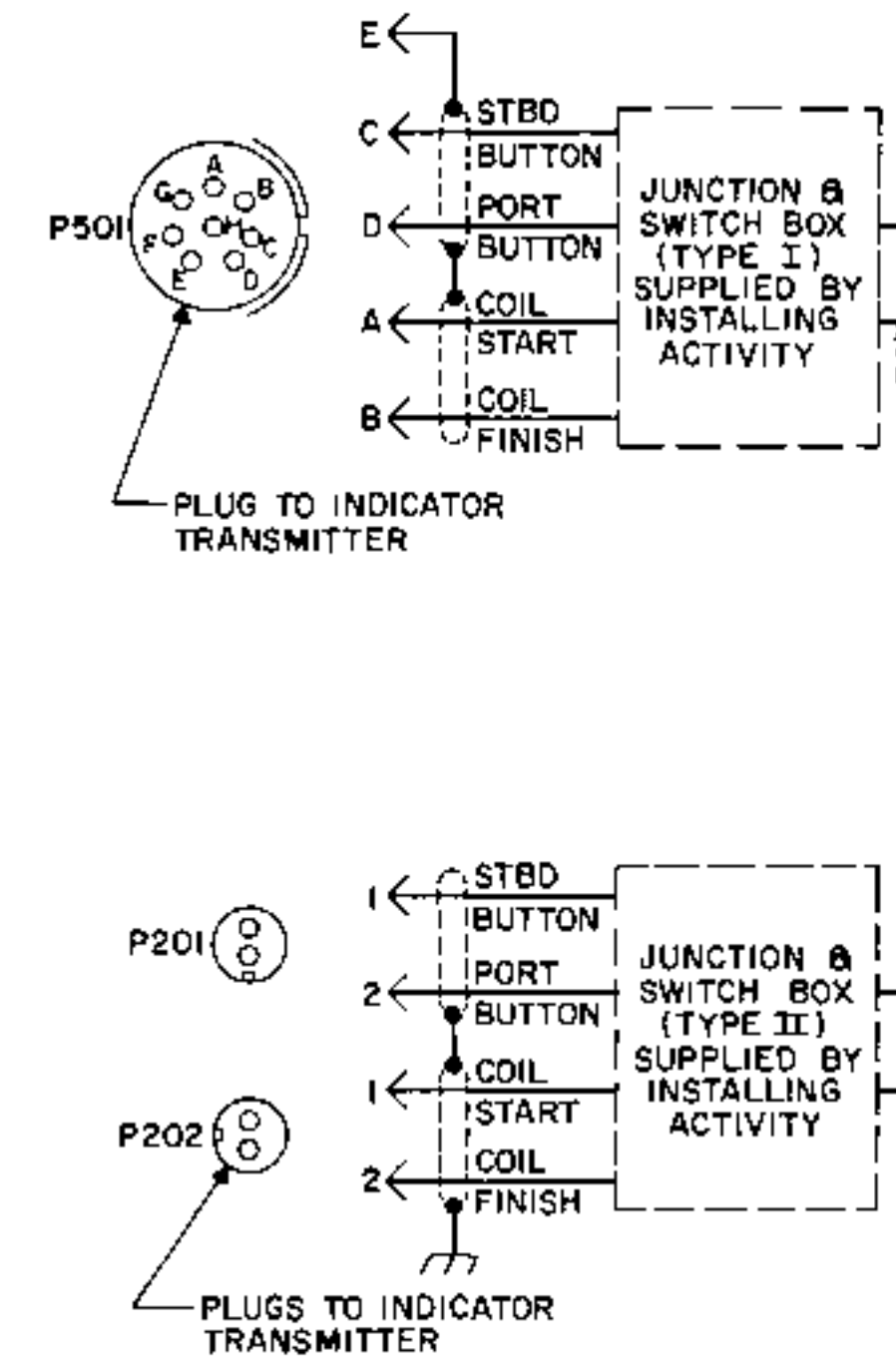
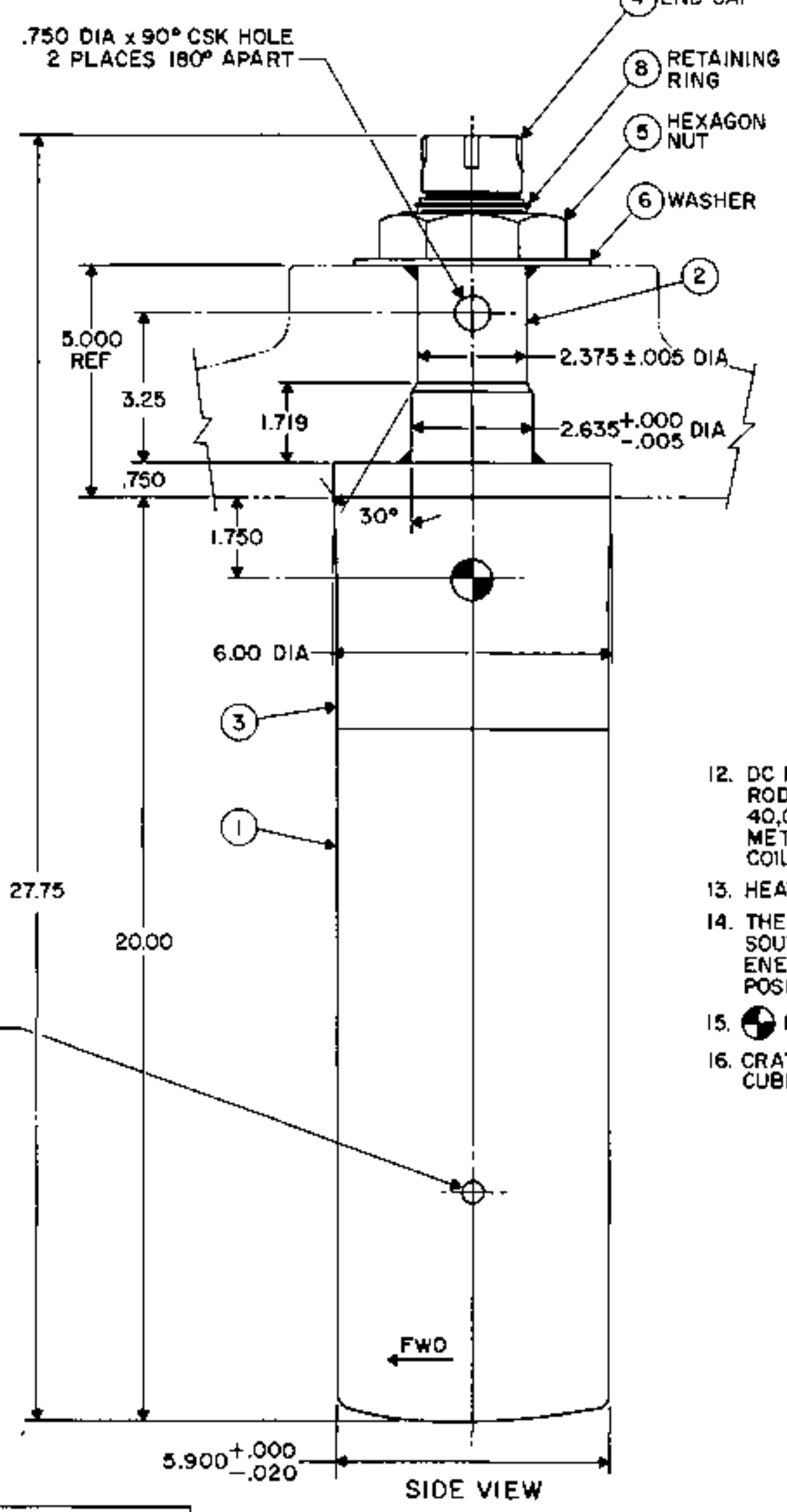
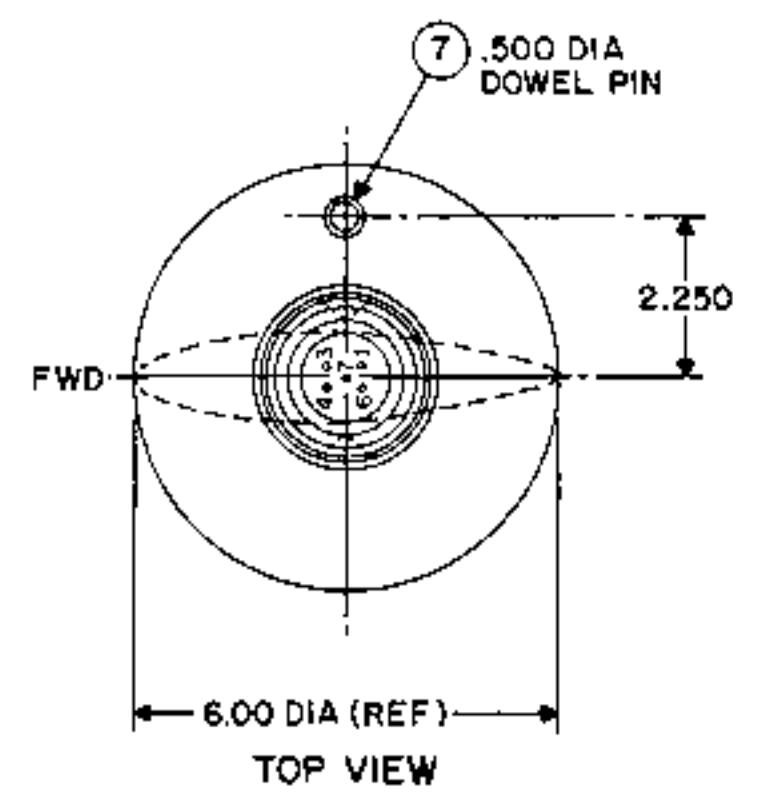


REVISIONS				
ZONE	LTR	DESCRIPTION	DATE	APPROVED
A		REMOVED PRELIMINARY DESIGNATION. ADDED DIMENSIONS & NOTES.	22 JUL 74	<i>A. Cardineta</i> 24 Jul 74

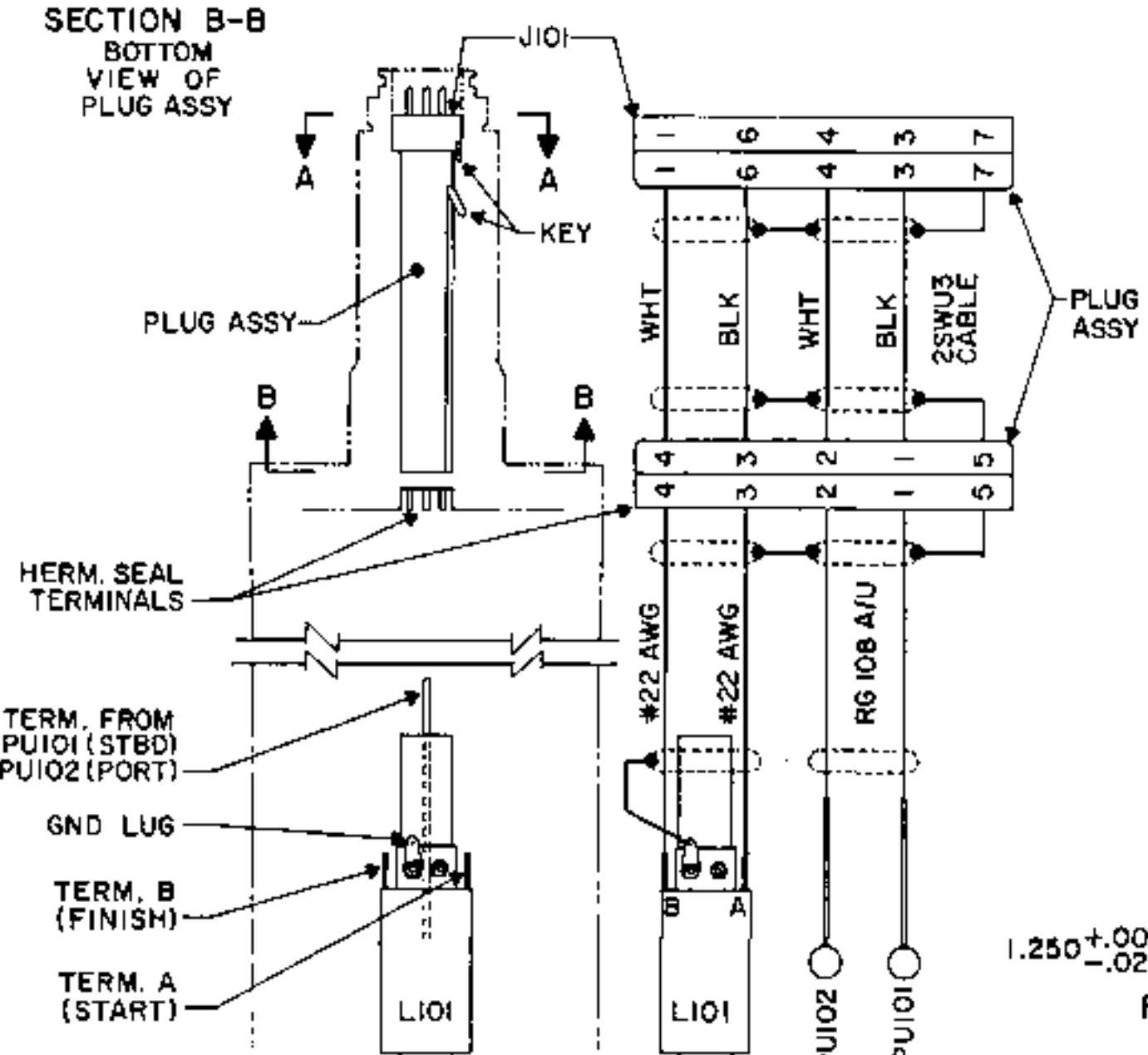
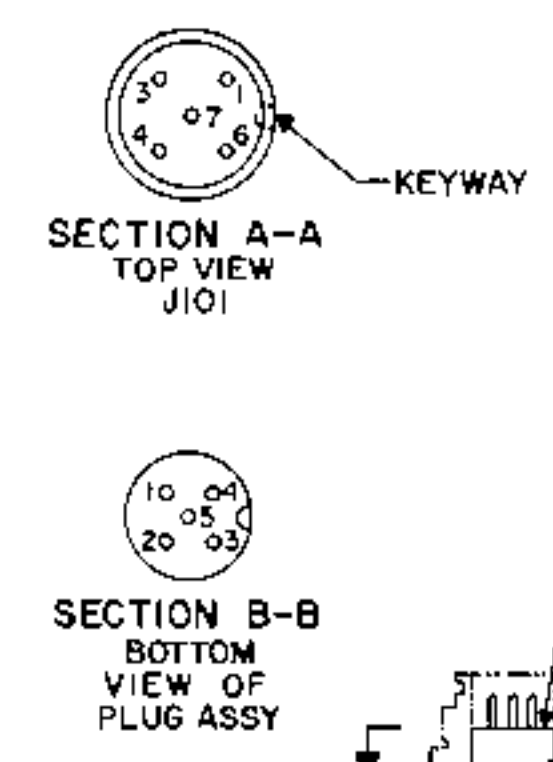
LIST OF MATERIAL-CONTRACTOR SUPPLIED UNLESS OTHERWISE SPECIFIED BY CONTRACT					
ITEM NO.	QTY REQD	PART NO.	DESCRIPTION	MATERIAL	MATERIAL SPEC
1	1	70011-502	SENSING ELEMENT ASSY		
2	1	50221-501	HULL FITTING	NI-CU-AL ALY	QQ-N-286, CL A
3	1	50215-1	ROD END	CAST NI-CU-ALY	QQ-N-288, COMP D
4	1	30652-1	CAP, HULL FITTING	AL-BRZ-ALY	QQ-B-679, COMP I
5	1	30651-1	NUT, HULL FITTING	NI-CU-ALY	QQ-N-288
6	1	30653-1	WASHER	NI-CU-ALY	QQ-N-281, CL A
7	1	30649-1	PIN, DOWEL (1/2 DIA)	NI-CU-ALY	QQ-N-281, CL A
8	1	MSK624-4225	RETAINING RING	CRES	MIL-R-21248
9	1	AN6227-25	"O" RING	SYN RUBBER	MIL-P-5516
10	1	AN6227-35	"O" RING	SYN RUBBER	MIL-P-5516
11	1	AN6227-37	"O" RING	SYN RUBBER	MIL-P-5516



DETAIL "A"
JACKING DEVICE & TEMPORARY HULL PLUG ASSY-ALL PARTS SUPPLIED BY INSTALLING ACTIVITY UNLESS OTHERWISE SPECIFIED BY CONTRACT (REF BUSHIPS DWG SSB(N)640-400-2147558)



- NOTES:
- TORQUE REQUIREMENT ON SPANNER NUT = 100 FT LB MIN.
 - WEIGHT = 40 LB IN AIR, 32 LB IN WATER.
 - LUBRICATE "O" RINGS WITH MOLYCOTE WHEN INSTALLING.
 - CABLE SHIELDS MUST BE CONTINUOUS & SHOULD SHIELD WIRES AS MUCH AS PRACTICABLE.
 - AFTER INSTALLING CABLES, BUT BEFORE EQUIPMENT IS CONNECTED, MEGGER AT 500V ALL WIRES & SHIELDS TO HULL. RESISTANCE SHALL BE GREATER THAN 100 MEG Ω.
 - ONLY TYPE I OR TYPE II JUNCTION/SWITCH BOX TO BE USED. CHECK CABLE & CONNECTOR REQUIREMENTS OF INDICATOR/TRANSMITTER TO BE USED BEFORE INSTALLMENT.
 - MOUNTING LOCATION OF FIXED RODMETER(S) TO BE APPROVED BY NAVSEC.
 - FORE & AFT ALIGNMENT OF ROD TO BE PARALLEL WITHIN 0°-75' OF SHIP FORE & AFT AXIS.
 - FOR DESCRIPTION OF ELECTRO MAGNETIC LOG SYSTEM SEE INSTRUCTION MANUAL NAVSHIPS 0965-074-1010.
 - JUNCTION/SWITCH BOX NOT REQUIRED ON SYSTEM USING ONLY ONE FIXED RODMETER.
 - POWER FOR RODMETER OBTAINED FROM INDICATOR/TRANSMITTER: 50 VOLTS 60Hz 0.750 AMP NORMAL; 0.800 AMP MAX. SIGNAL FROM BUTTONS 60 Hz 13 MV MAX.



WIRING DIAGRAM

REFERENCE DRAWINGS	
1	SSB(N) 640-400-2147558 (BUSHIPS) UNDERWATER FIXED ROD DETAILS FOR HULL MOUNTING
2	SSB(N) 640-400-2147557 (BUSHIPS) UNDERWATER FIXED ROD ARRANGEMENT IN SHIP
3	MIL-C-24231/3B MOLDED PLUG
4	50222-501 (PITLOG) RODMETER ASSY, FIXED IC/E-28-6
5	50220-501 (PITLOG) HULL PLUG ASSY
6	50217-501 (PITLOG) JACKING DEVICE

QTY REQD	SYM	NOMENCLATURE OR DESCRIPTION	CODE IDENT	PART OR IDENTIFYING NO.	SPECIFICATION	MATERIAL OR NOTE	UNIT WT	ZONE	ITEM NO.
LIST OF MATERIALS OR PARTS LIST									
UNLESS OTHERWISE SPECIFIED DIMENSIONS ARE IN INCHES TOLERANCES ON FRACTIONS DECIMALS ANGLES 2 PL DEC ± .02 3 PL DEC ± .010 ± 0°-30'					DRAWING STARTED DATE		PITOMETER LOG CORP PARAMUS, N. J.		
					DRAWN <i>W. Cardineta</i> 22 JUL 74		FIXED RODMETER IC/E-28-6 (UNDERWATER LOG EQUIP) OUTLINE & INSTALLATION		
					CHECKED		SIZE CODE IDENT NO.		
					ENGR <i>A. Cardineta</i> 23 JUL 74		D 47496		
					FINISH: <i>BE Fuchs</i> 8/29/74		50208		
NEXT ASSY USED ON					APPLICATION		SCALE 3/8"=1" SHEET		

50208