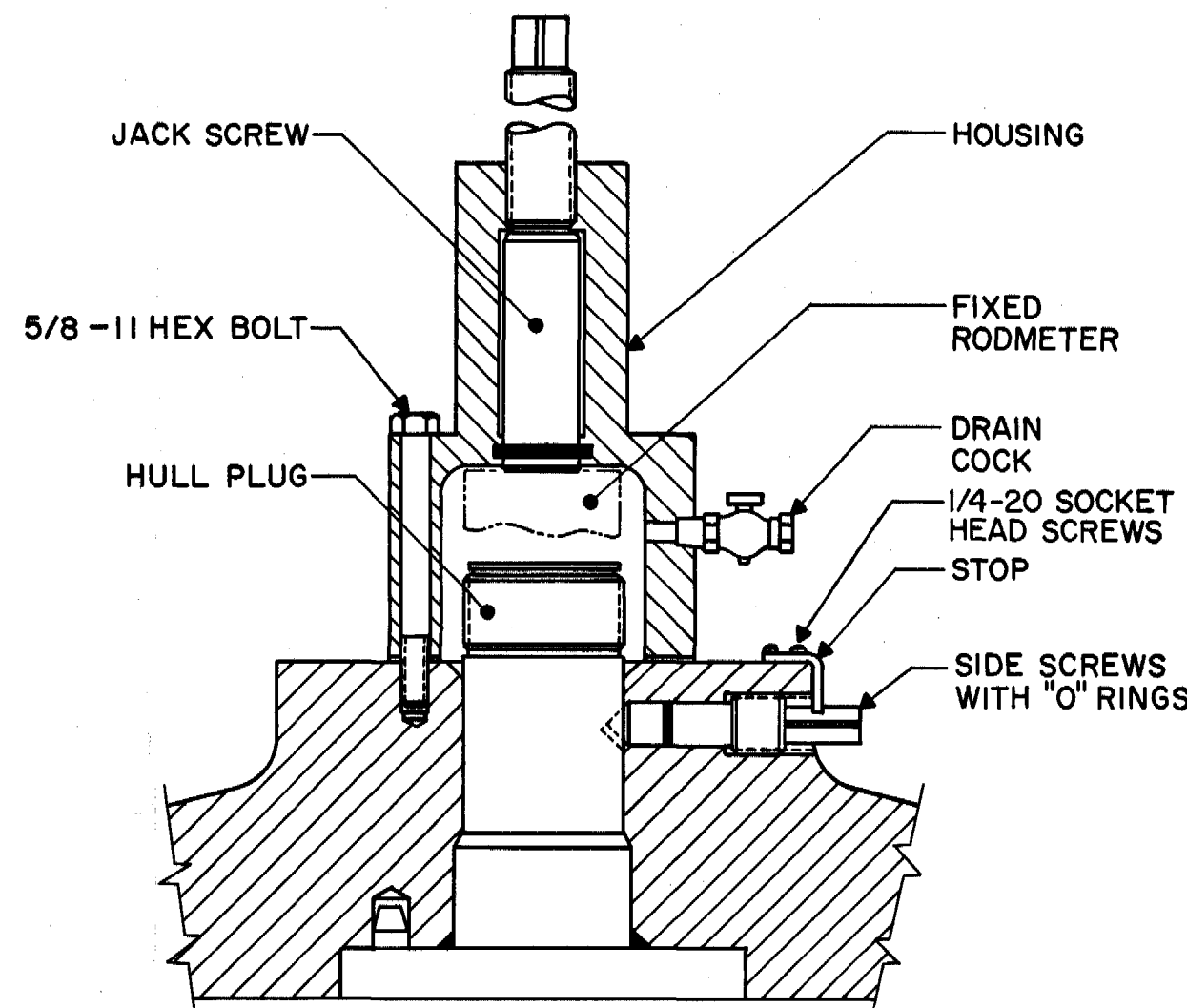
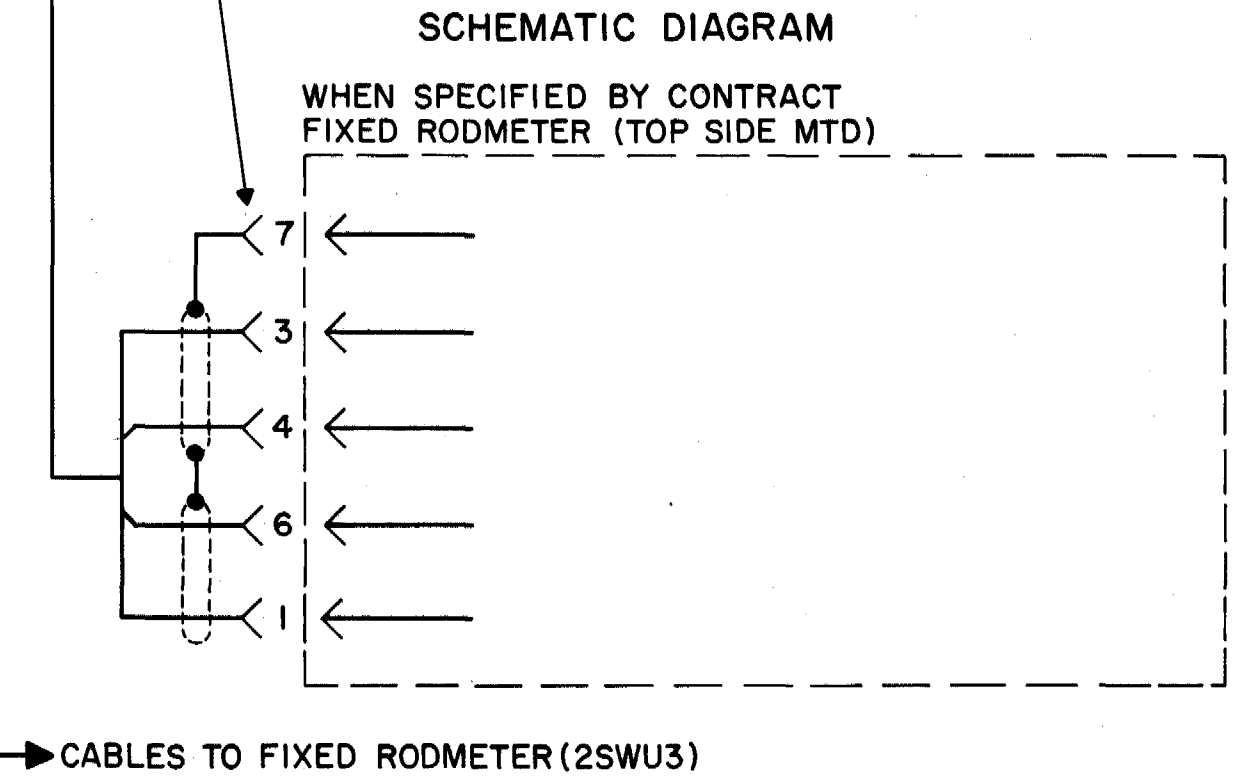
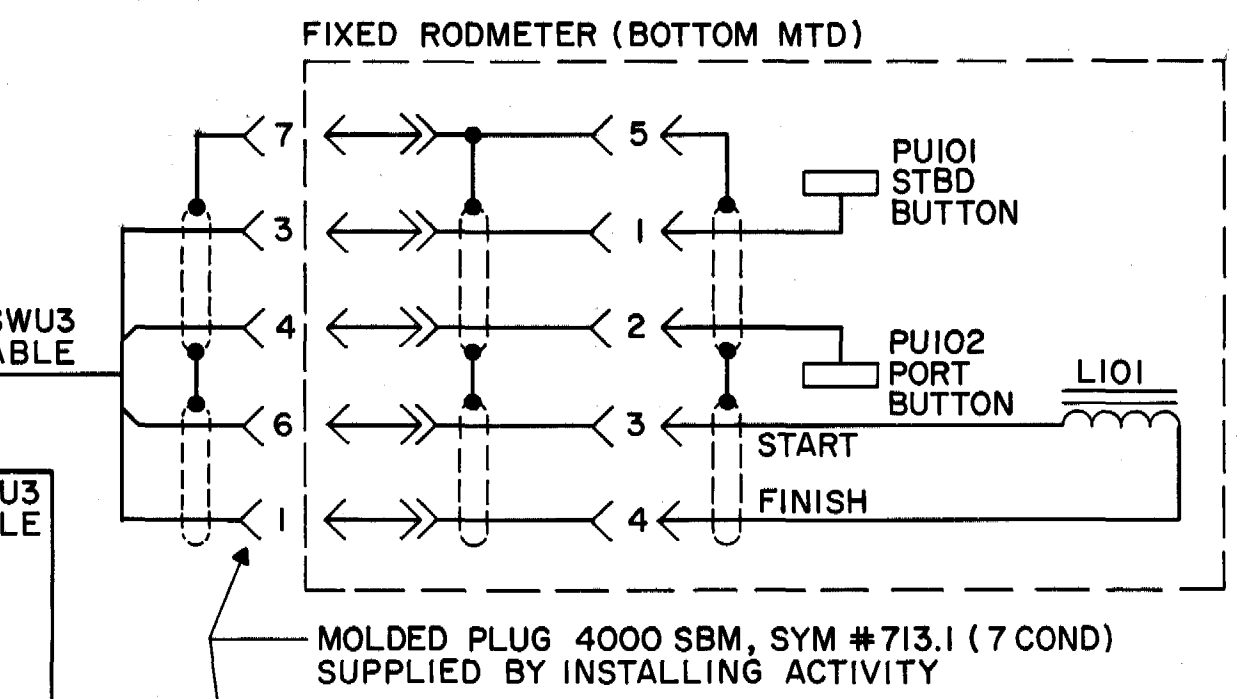
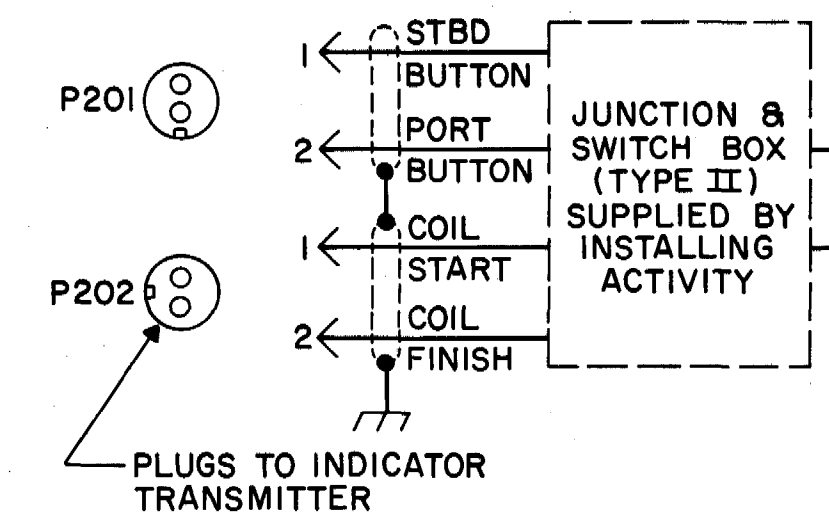
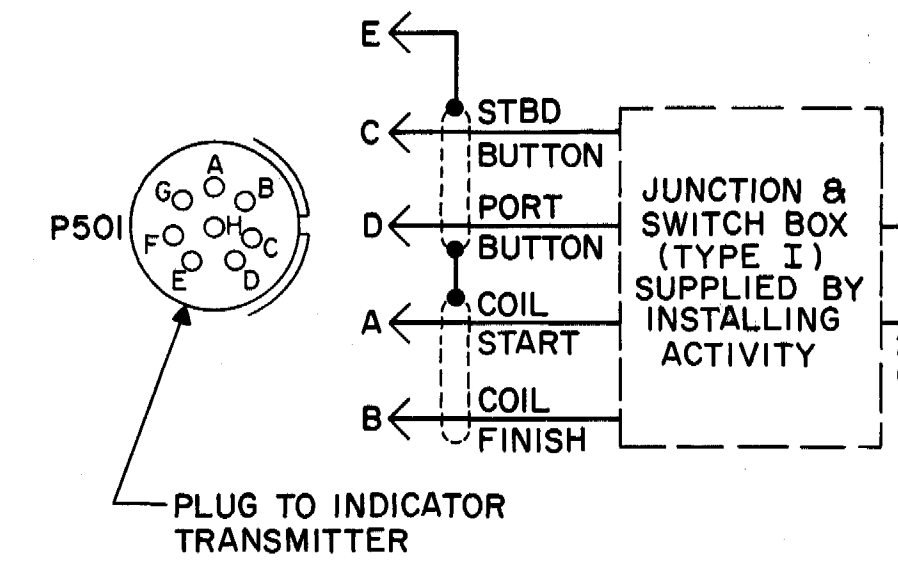
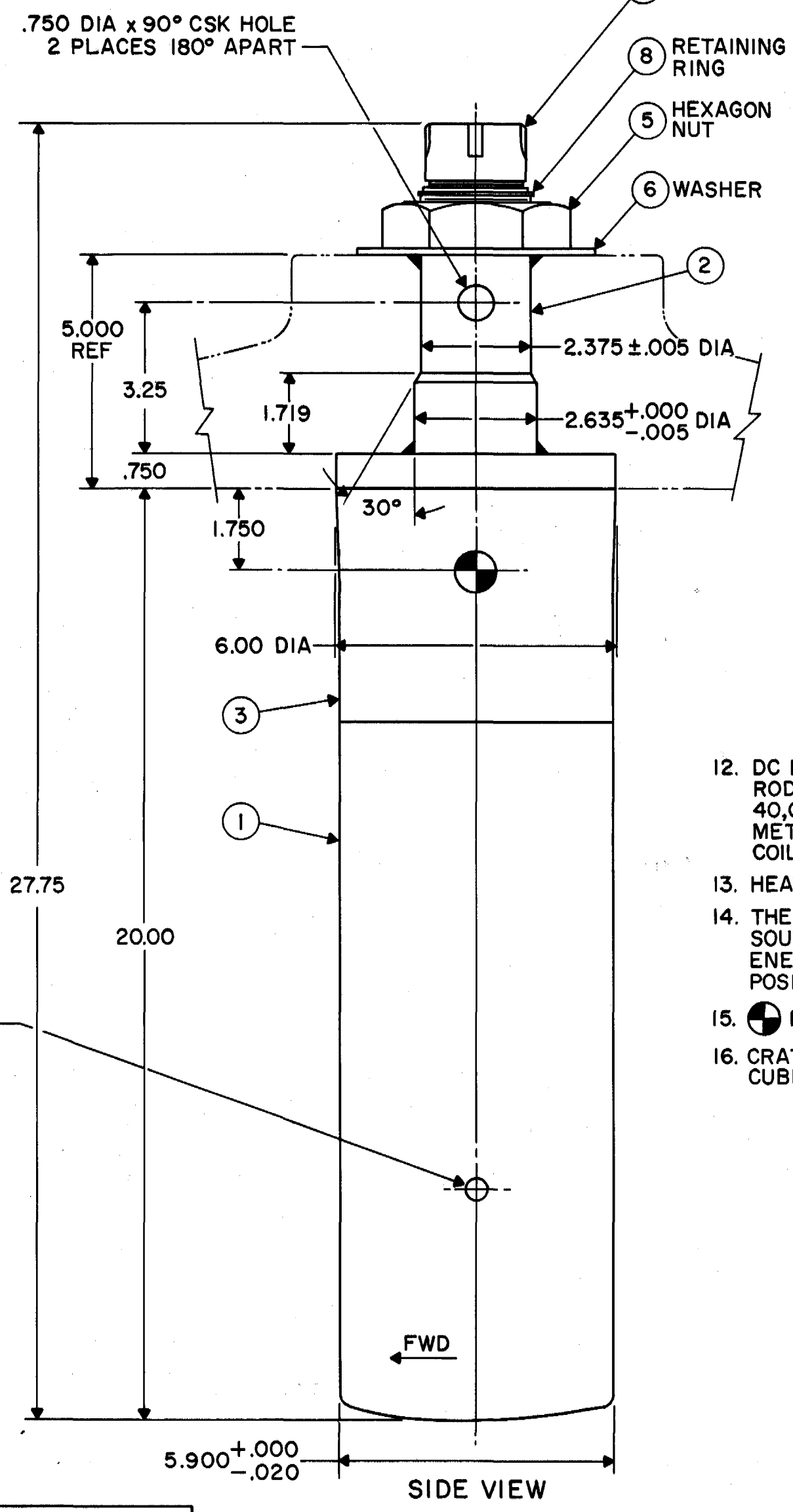
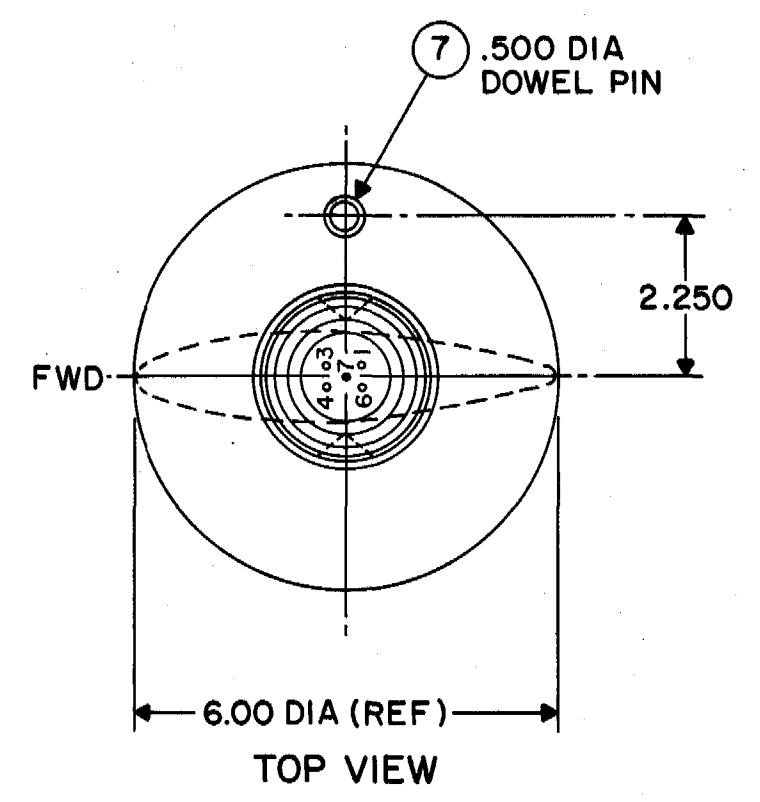


| LIST OF MATERIAL-CONTRACTOR SUPPLIED UNLESS OTHERWISE SPECIFIED BY CONTRACT | | | | | |
|---|----------|-------------|----------------------|----------------|------------------|
| ITEM NO. | QTY REQD | PART NO. | DESCRIPTION | MATERIAL | MATERIAL SPEC |
| 1 | 1 | 70011-502 | SENSING ELEMENT ASSY | | |
| 2 | 1 | 50221-501 | HULL FITTING | NI-CU-AL ALY | QQ-N-286, CL A |
| 3 | 1 | 50215-1 | ROD END | CAST NI-CU-ALY | QQ-N-288, COMP D |
| 4 | 1 | 30652-1 | CAP, HULL FITTING | AL-BRZ-ALY | QQ-B-679, COMP I |
| 5 | 1 | 30651-1 | NUT, HULL FITTING | NI-CU-ALY | QQ-N-288 |
| 6 | 1 | 30653-1 | WASHER | NI-CU-ALY | QQ-N-281, CL A |
| 7 | 1 | 30649-1 | PIN, DOWEL (1/2 DIA) | NI-CU-ALY | QQ-N-281, CL A |
| 8 | 1 | MS6624-4225 | RETAINING RING | CRES | MIL-R-21248 |
| 9 | 1 | AN6227-25 | "O" RING | SYN RUBBER | MIL-P-5516 |
| 10 | 1 | AN6227-35 | "O" RING | SYN RUBBER | MIL-P-5516 |
| 11 | 1 | AN6227-37 | "O" RING | SYN RUBBER | MIL-P-5516 |

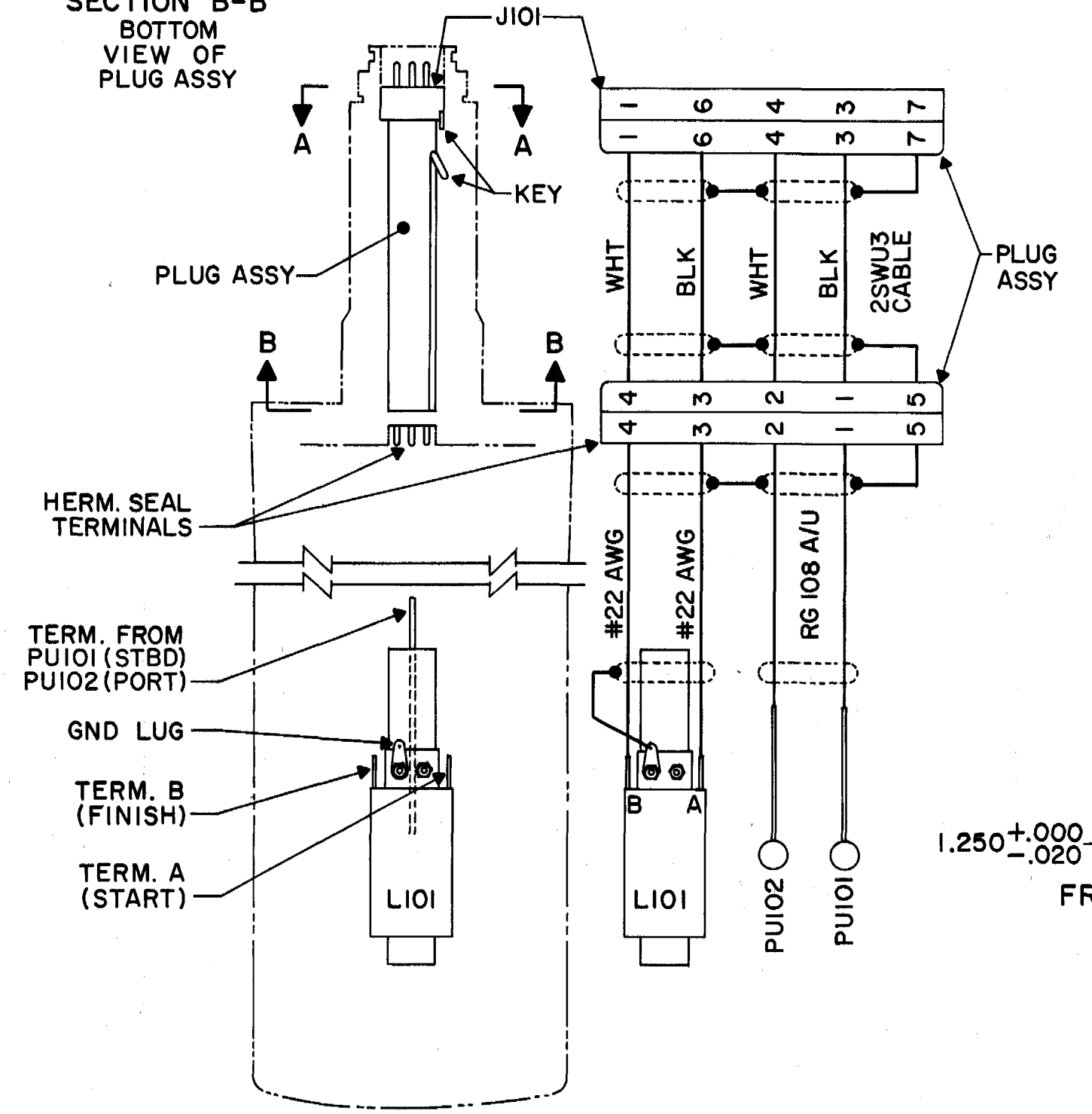
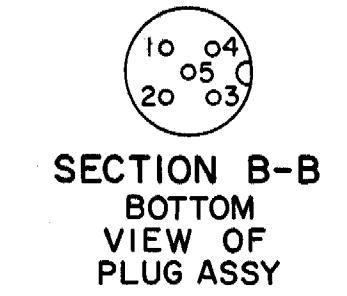
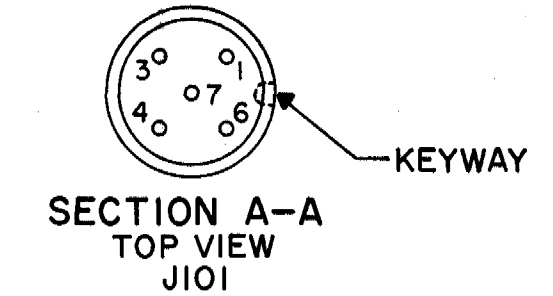
| REVISIONS | | | | |
|-----------|-----|--|-----------|----------------------------------|
| ZONE | LTR | DESCRIPTION | DATE | APPROVED |
| | A | REMOVED PRELIMINARY DESIGNATION. ADDED DIMENSIONS & NOTES. | 22 JUL 74 | <i>R. Cardineta</i> 24 Jul 74 |



DETAIL "A"
JACKING DEVICE & TEMPORARY HULL PLUG ASSY-ALL PARTS SUPPLIED BY INSTALLING ACTIVITY UNLESS OTHERWISE SPECIFIED BY CONTRACT (REF BUSHIPS DWG SSB(N)640-400-2147558)



- NOTES:
- TORQUE REQUIREMENT ON SPANNER NUT=100 FT LB MIN.
 - WEIGHT=40 LB IN AIR, 32 LB IN WATER.
 - LUBRICATE "O" RINGS WITH MOLYCOTE WHEN INSTALLING.
 - CABLE SHIELDS MUST BE CONTINUOUS & SHOULD SHIELD WIRES AS MUCH AS PRACTICABLE.
 - AFTER INSTALLING CABLES, BUT BEFORE EQUIPMENT IS CONNECTED, MEGGER AT 500V ALL WIRES & SHIELDS TO HULL. RESISTANCE SHALL BE GREATER THAN 100 MEG Ω.
 - ONLY TYPE I OR TYPE II JUNCTION/SWITCH BOX TO BE USED. CHECK CABLE & CONNECTOR REQUIREMENTS OF INDICATOR/TRANSMITTER TO BE USED BEFORE INSTALLMENT.
 - MOUNTING LOCATION OF FIXED RODMETER(S) TO BE APPROVED BY NAVSEC.
 - FORE & AFT ALIGNMENT OF ROD TO BE PARALLEL WITHIN 0°-75' OF SHIP FORE & AFT AXIS.
 - FOR DESCRIPTION OF ELECTRO MAGNETIC LOG SYSTEM SEE INSTRUCTION MANUAL NAVSHIPS 0965-074-1010.
 - JUNCTION/SWITCH BOX NOT REQUIRED ON SYSTEM USING ONLY ONE FIXED RODMETER.
 - POWER FOR RODMETER OBTAINED FROM INDICATOR/TRANSMITTER: 50 VOLTS 60Hz 0.750 AMP NORMAL; 0.800 AMP MAX. SIGNAL FROM BUTTONS 60 Hz 13 MV MAX.
 - DC RESISTANCE BETWEEN SIGNAL BUTTONS WHEN RODMETER IS IMMERSED VARIES FROM ABOUT 400 TO 40,000 OHMS DEPENDING ON WATER CONDUCTIVITY, METER SCALE & LENGTH OF TIME METER IS CONNECTED. COIL IMPEDANCE IS APPROXIMATELY 14 + jω0.175.
 - HEAT DISSIPATION=10 WATTS
 - THE LOWER TIP OF THE RODMETER SHALL ATTRACT THE SOUTH POLE OF A MAGNET COMPASS WHEN THE COIL IS ENERGIZED WITH 6 VOLTS DC WITH TERMINAL 6 (START) POSITIVE WITH RESPECT TO TERMINAL 1 (FINISH).
 - INDICATES CENTER OF GRAVITY WITHOUT PLUG.
 - CRATE 31.75 x 9.25 x 9.25 CRATED WEIGHT=55.25 LB CUBICAL CONTENT=1.57 CU FT.



WIRING DIAGRAM

| REFERENCE DRAWINGS | |
|--------------------|---|
| 1 | SSB(N) 640-400-2147558 (BUSHIPS) UNDERWATER FIXED ROD DETAILS FOR HULL MOUNTING |
| 2 | SSB(N) 640-400-2147557 (BUSHIPS) UNDERWATER FIXED ROD ARRANGEMENT IN SHIP |
| 3 | MIL-C-24231/3B MOLDED PLUG |
| 4 | 50222-501 (PITLOG) RODMETER ASSY, FIXED IC/E-28-6 |
| 5 | 50220-501 (PITLOG) HULL PLUG ASSY |
| 6 | 50217-501 (PITLOG) JACKING DEVICE |

| QTY REQD | SYM | NOMENCLATURE OR DESCRIPTION | CODE IDENT | PART OR IDENTIFYING NO. | SPECIFICATION | MATERIAL OR NOTE | UNIT WT | ZONE | ITEM NO. |
|---------------------------------|-----|--|--|-------------------------|---|------------------|---------|------|----------|
| LIST OF MATERIALS OR PARTS LIST | | | | | | | | | |
| | | UNLESS OTHERWISE SPECIFIED DIMENSIONS ARE IN INCHES TOLERANCES ON FRACTIONS DECIMALS ANGLES 2 PL DEC ±.02 3 PL DEC ±.010 ±0°-30' | DRAWING STARTED DATE | | PITOMETER LOG CORP PARAMUS, N.J. | | | | |
| | | MATERIAL: | DRAWN <i>Concent C. Sumita</i> 22 JUL 74 | | FIXED RODMETER IC/E-28-6 (UNDERWATER LOG EQUIP) OUTLINE & INSTALLATION | | | | |
| | | | CHECKED | | SIZE CODE IDENT NO. | | | | |
| | | | ENGR <i>R. Cardineta</i> 23 JUL 74 | | D 47496 | | | | |
| | | | FINISH: <i>BE Fuchs</i> 8/29/74 | | 50208 | | | | |
| | | NEXT ASSY USED ON | APPLICATION | | SCALE 3/8"=1" SHEET | | | | |

50208