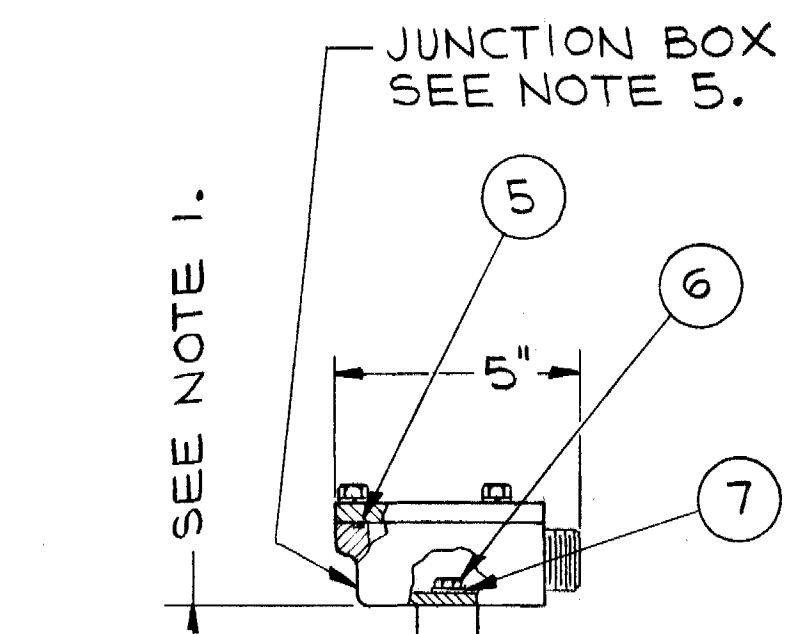
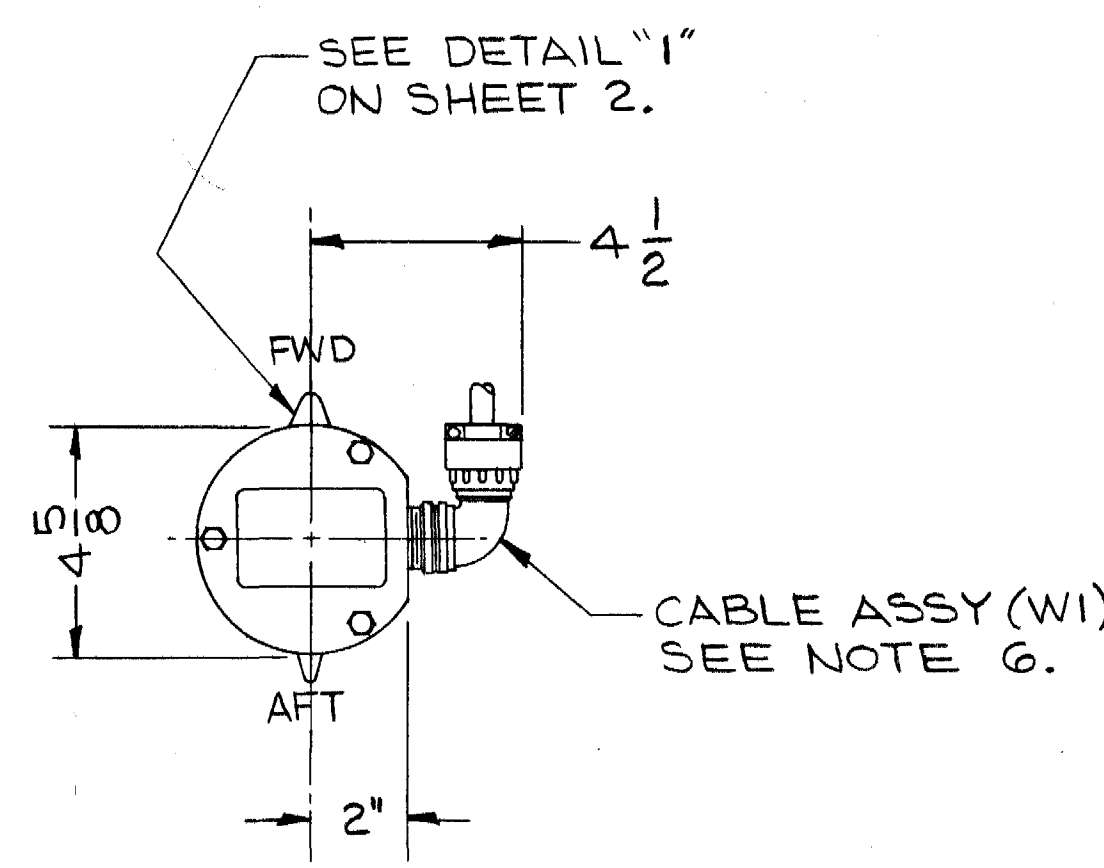
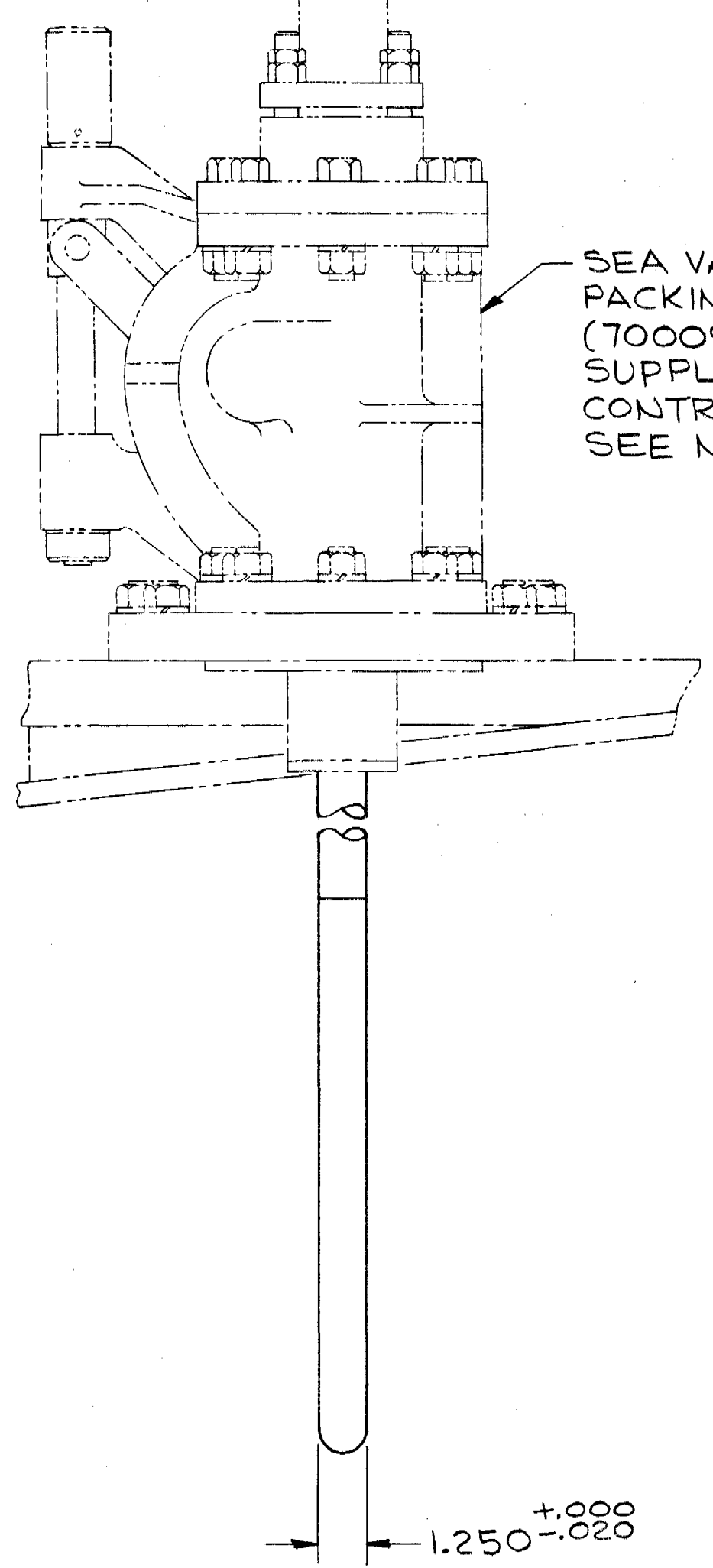


REVISIONS				
ZONE	LTR	DESCRIPTION	DATE	APPROVED



17 DIA REF 2 HOLES FOR MOUNTING HOISTING CLAMP SEE DETAIL "2" ON SHEET 2

CONNECTOR J1 (40237-1 PITLOG) SUPPLIED BY CONTRACTOR AS PART OF ITEM 3.



SEA VALVE & PACKING ASSY (70009-501 PITLOG) SUPPLIED BY CONTRACTOR. SEE NOTE 4.

SENSING BUTTON ONE EACH SIDE

NOTES: (CONT)

- POWER FOR RODMETER OBTAINED FROM INDICATOR TRANSMITTER: 50V 60 Hz 0.750 AMP NORMAL: 0.800 AMP MAX. SIGNAL FROM BUTTONS 60Hz 13MV MAX.
- DC RESISTANCE BETWEEN SIGNAL BUTTONS WHEN RODMETER IS IMMERSERD VARIES FROM ABOUT 400 TO 40,000 OHMS DEPENDING ON WATER CONDUCTIVITY, METER SCALE & LENGTH OF TIME METER IS CONNECTED. COIL IMPEDANCE IS APPROXIMATELY $14 + j\omega 0.175$.
- HEAT DISSIPATION = 10 WATTS.
- THE LOWER TIP OF RODMETER SHALL ATTRACT THE SOUTH POLE OF A MAGNET COMPASS WHEN THE COIL IS ENERGIZED WITH 6 VOLTS DC WITH TERM. 6 (START) POSITIVE WITH RESPECT TO TERM. 1 (FINISH).
- WEIGHT = 75 LB, CUBICAL CONTENT = .31 CU FT. CRATED WEIGHT = 103 LB, CRATED CUBICAL CONTENT = 2.5 CU FT, OVERALL CRATED DIMENSIONS = 76" x 8" x 7".
- THIS EQUIPMENT IS IN ACCORDANCE WITH MIL-U-18033F W/AMEND 2.

NOTES:

- DIMENSIONS SHALL BE FIXED BY INSTALLING ACTIVITY IN LIEU WITH HOISTING CLAMP (SEE DETAIL "2" ON SHEET 2) & MOUNTING HARDWARE SUPPLIED BY INSTALLING ACTIVITY.
- ⊙ DENOTES CENTER OF GRAVITY.
- BEFORE INSERTING RODMETER ASSY, LUBRICATE ROD & PACKING (PART OF SEA VALVE & PACKING ASSY) WITH ORDINARY SOAP PER P-5-591.
- VALVE BODY (PART OF SEA VALVE & PACKING ASSY) MAY BE INSTALLED IN TWO POSITIONS: ONE AS SHOWN OR ROTATED 180°.
- JUNCTION BOX MAY BE INSTALLED ON ROD IN FOUR POSITIONS: ONE AS SHOWN OR ROTATED IN 90° STEPS UP TO 360°.
- CABLE ASSY (W/ PITLOG 50196-501) SHALL BE SUPPLIED BY CONTRACTOR ONLY WHEN SPECIFIED BY CONTRACT. WHEN CABLE ASSY IS NOT SUPPLIED, CONTRACTOR SHALL SUPPLY PLUG, BENDIX SCINTILLA #10-72820-7S & CLAMP, BENDIX SCINTILLA #10-350349-203.
- CONTRACTOR SHALL SUPPLY PLUG, MS3106R-20-7PY, CLAMP, BENDIX SCINTILLA #10-350349-203, & ADAPTER, BENDIX SCINTILLA #10-329290-203.
- SPACER (PITLOG 40235-1) & SCREWS (MS35457-82) ARE FOR SPARE PARTS ORDER & ARE NOT SUPPLIED WITH RODMETER.
- CABLE SHIELDS MUST BE CONTINUOUS & SHOULD SHIELD WIRES AS MUCH AS PRACTICABLE.
- AFTER INSTALLING CABLES, BEFORE EQUIPMENT IS CONNECTED, MEGGER AT 500V ALL WIRES & SHIELDS TO HULL. RESISTANCE SHALL BE GREATER THAN 100MEGΩ.
- ONLY TYPE I OR TYPE II JUNCTION/SWITCHING BOX TO BE USED. CHECK CABLE & CONNECTOR REQUIREMENTS OF INDICATOR TRANSMITTER TO BE USED BEFORE INSTALLMENT.
- MOUNTING LOCATION OF FIXED RODMETER (S) TO BE APPROVED BY NAVSEC.
- FORE & AFT ALIGNMENT OF ROD TO BE PARALLEL WITHIN 0°-75' OF SHIPS FORE & AFT AXIS.
- FOR DESCRIPTION OF ELECTRO MAGNETIC LOG SYSTEM, SEE INSTRUCTION MANUAL NAVSHIPS 0965-074-1010.
- JUNCTION/SWITCHING BOX NOT REQUIRED ON SYSTEM USING ONLY ONE RODMETER.

LIST OF MATERIAL-CONTRACTOR SUPPLIED UNLESS OTHERWISE SPECIFIED BY CONTRACT

ITEM NO.	QTY REQD	PART NO.	DESCRIPTION	MATERIAL	MATERIAL SPEC
1	1	70011-501	SENSING ELEMENT ASSY	SEE DWG	SEE DWG
2	1	50193-1	ROD	"K" MONEL	QQ-N-286
3	1	50148-1	JUNCTION BOX	NICKEL AL BRONZE CASTING	MIL-B-23291
4	1	40236-1	COVER, JUNCTION BOX	NICKEL-COP ALLOY	MIL-N-894
5	2	M535311-85	BOLT, HEX HD	NICKEL-COP ALLOY	MIL-N-894
6	2	PARKER SEAL CO. 800-030-7/16	SEAL		
7	1	AN6230-14	"O" RING	CLASS B	MIL-P-5516

REFERENCE DRAWINGS

- 70012-501 (PITLOG) RODMETER ASSY IC/E-72-6F
- 70009-501 (PITLOG) SEA VALVE & PACKING ASSY SV-(C)
- 70018-501 (PITLOG) & 70018-502 INDICATOR TRANSMITTER IT-F & IT-F(V)
- 50196-501 (PITLOG) CABLE ASSY
- 40235-1 (PITLOG) SPACER
- 40237-1 (PITLOG) CONNECTOR

QTY REQD	SYM	NOMENCLATURE OR DESCRIPTION	CODE IDENT	PART OR IDENTIFYING NO.	SPECIFICATION	MATERIAL OR NOTE	UNIT WT	ZONE	ITEM NO.
UNLESS OTHERWISE SPECIFIED DIMENSIONS ARE IN INCHES TOLERANCES ON FRACTIONS DECIMALS ANGLES ~ ~ ~									
DRAWN: [Signature] 19 AUG 74									
CHECKED: [Signature]									
ENGR: [Signature]									
MATERIAL: ~									
FINISH: ~									
NEXT ASSY USED ON									
APPLICATION									
LIST OF MATERIALS OR PARTS LIST					PITOMETER LOG CORP PARAMUS, N.J.				
DRAWING STARTED DATE					RODMETER LOG CORP				
DRAWN: [Signature] 19 AUG 74					IC/E-72-6F				
CHECKED: [Signature]					OUTLINE AND				
ENGR: [Signature]					INSTALLATION DRAWING				
SIZE		CODE IDENT NO.			50226				
D		47496			SHEET 1 OF 2				
SCALE		1/4			SHEET 1 OF 2				

D

C

B

A

D

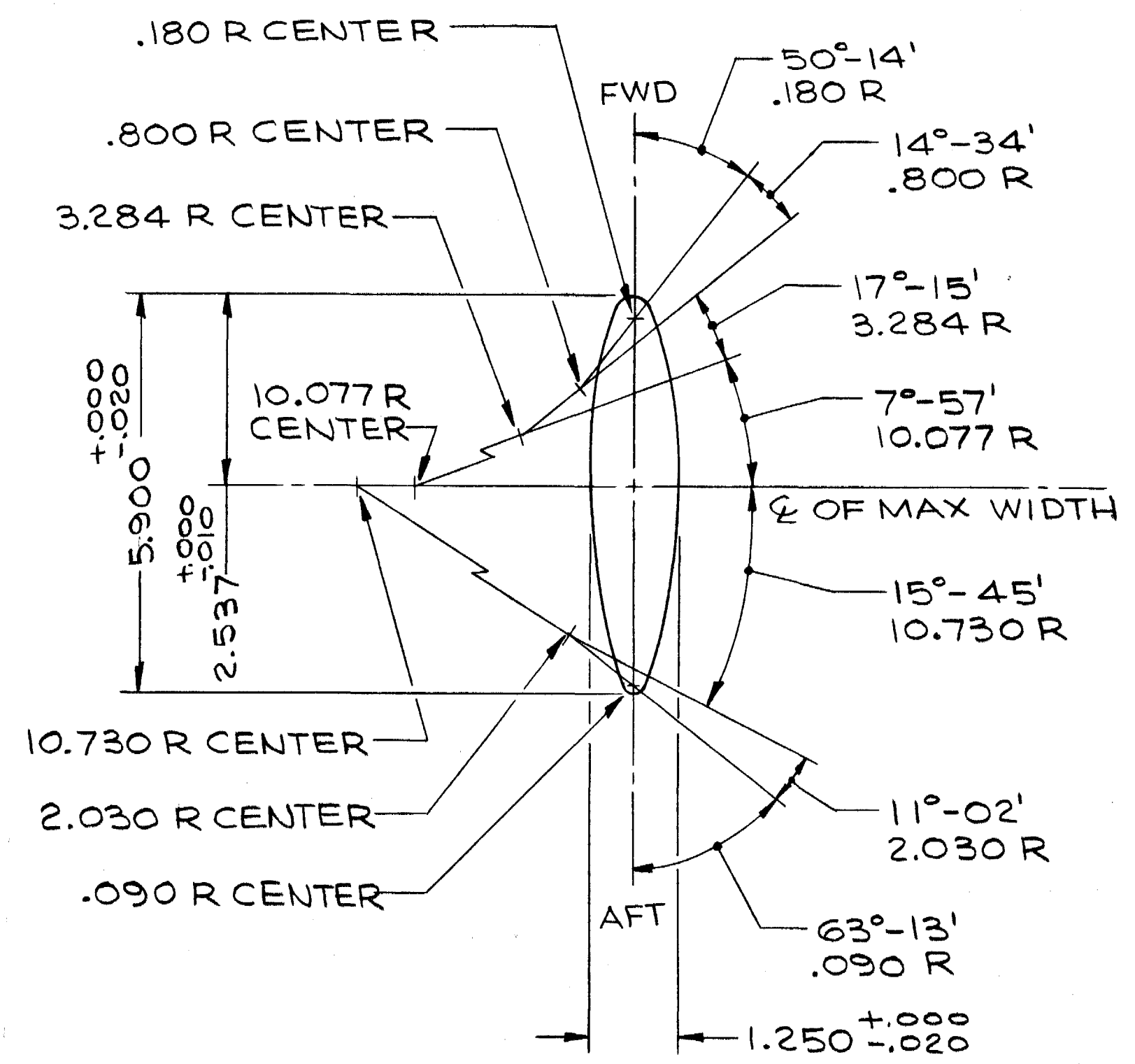
C

B

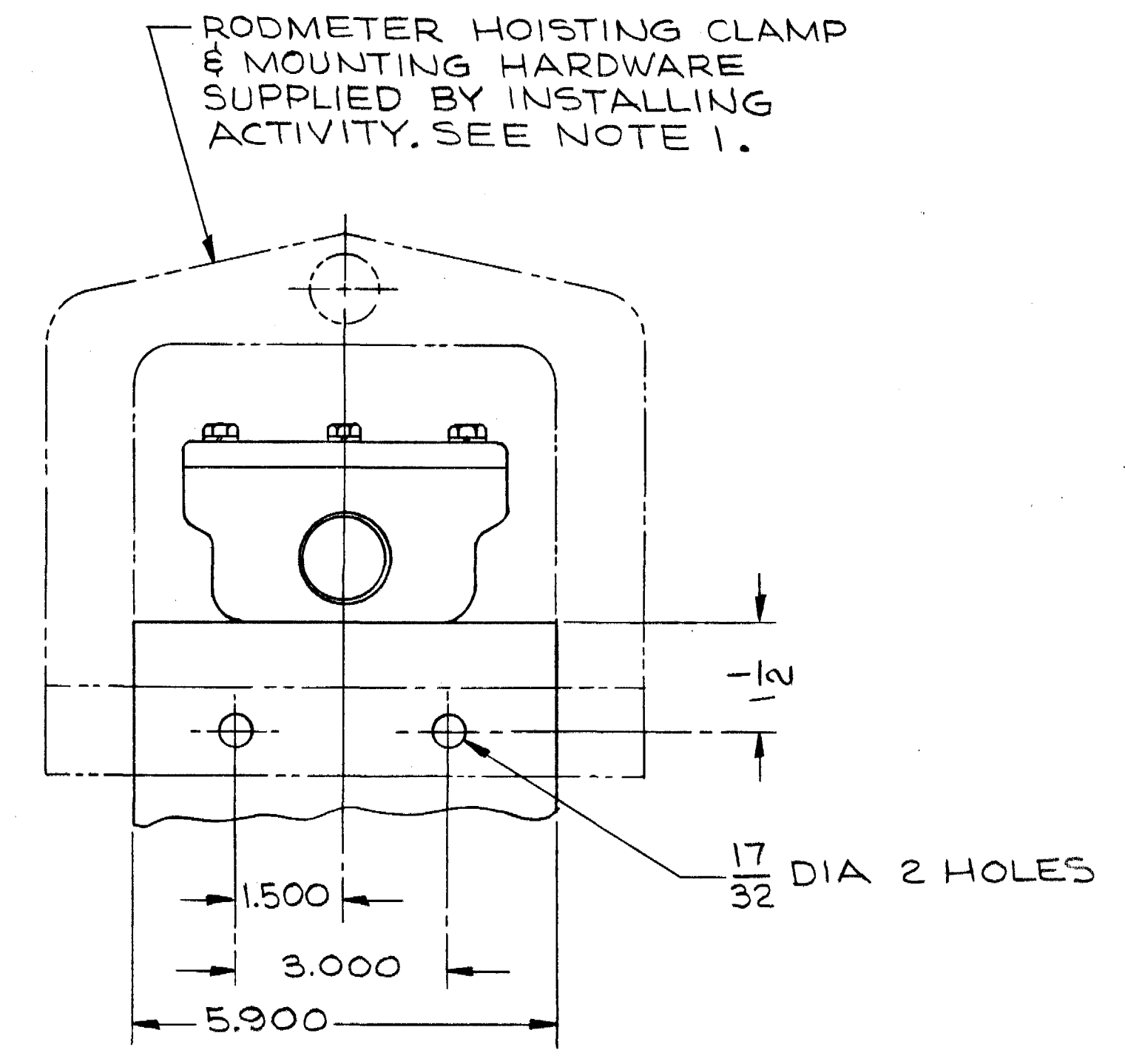
A

ULTRAVISION
FORD MOTOR CO.

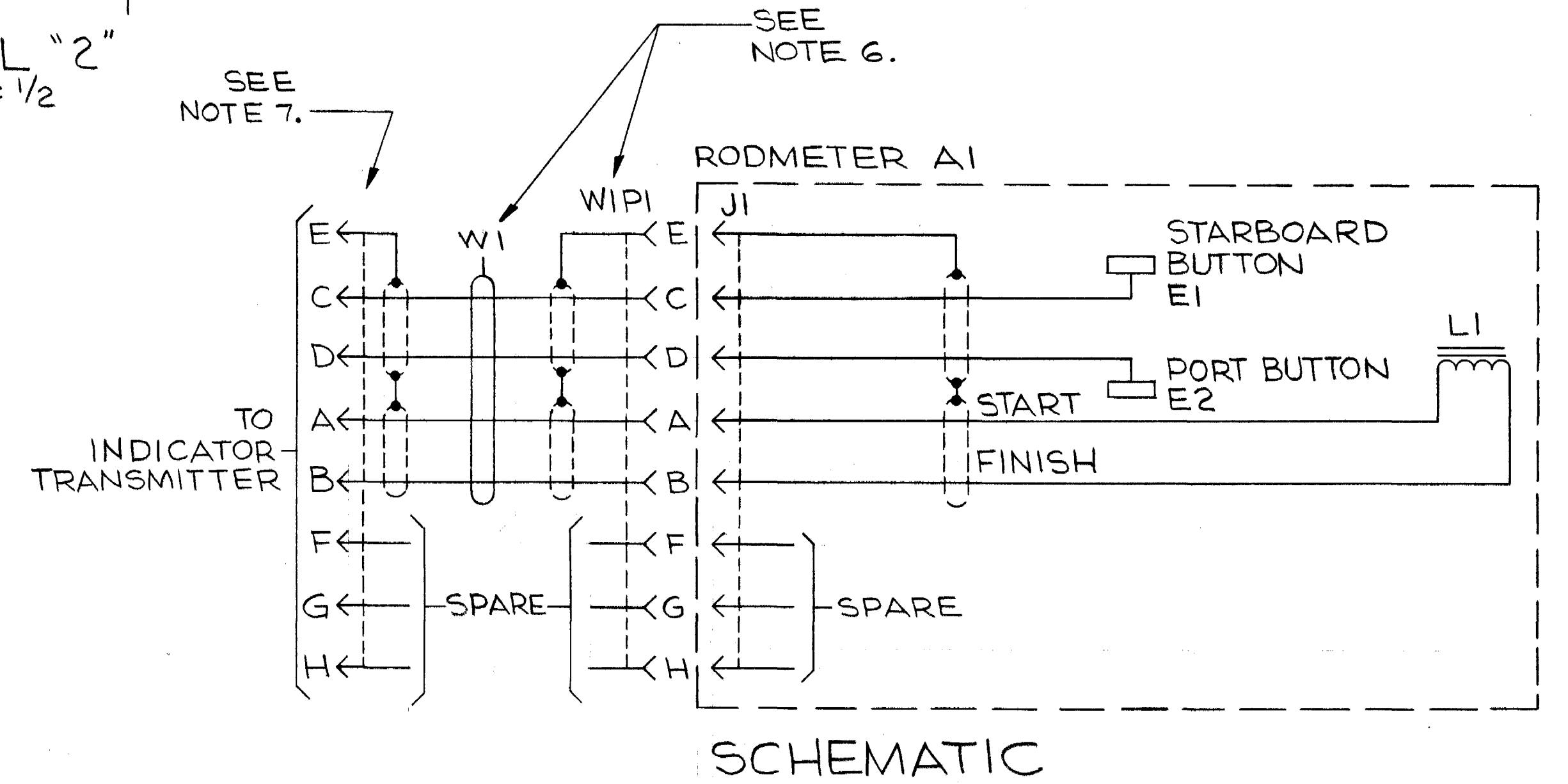
REVISIONS				
ZONE	LTR	DESCRIPTION	DATE	APPROVED



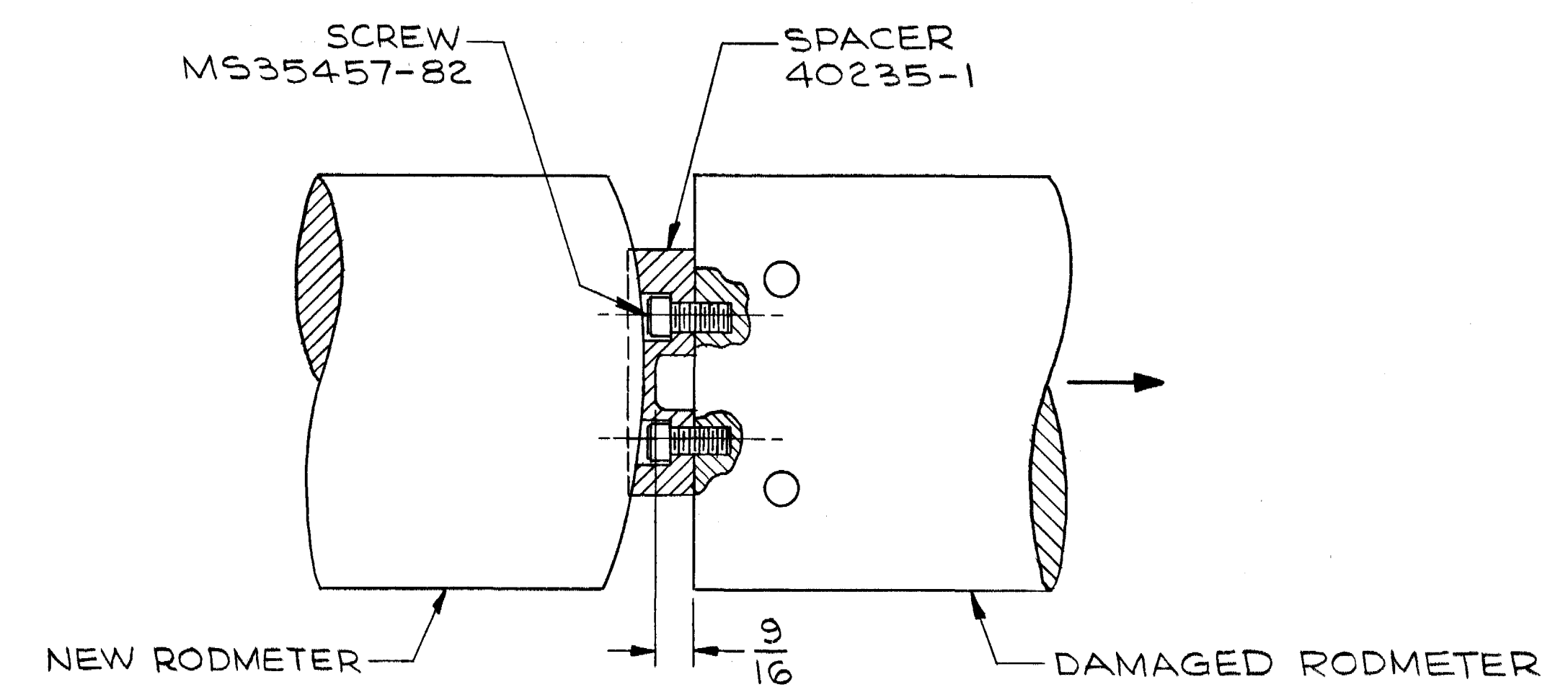
DETAIL "1"
SCALE: 1/2



DETAIL "2"
SCALE: 1/2



SCHEMATIC



DETAIL "3"
SCALE: 1/2
METHOD OF REPLACING BENT RODMETER. NEW RODMETER USED TO EXPEL DAMAGED ROD FROM SHIP. SEE NOTE 7.

QTY REQD	SYM	NOMENCLATURE OR DESCRIPTION	CODE IDENT	PART OR IDENTIFYING NO.	SPECIFICATION	MATERIAL OR NOTE	UNIT WT	ZONE	ITEM NO.
LIST OF MATERIALS OR PARTS LIST									
UNLESS OTHERWISE SPECIFIED DIMENSIONS ARE IN INCHES TOLERANCES ON FRACTIONS DECIMALS ANGLES ~ ~ ~					DRAWING STARTED DATE		PITOMETER LOG CORP PARAMUS, N.J.		
MATERIAL: ~					DRAWN <i>W. J. ...</i> 19 AUG 74		RODMETER IC/E-72-6F		
FINISH: ~					CHECKED		OUTLINE AND INSTALLATION DRAWING		
NEXT ASSY USED ON					ENGR		SIZE CODE IDENT NO. D 47496		50226
APPLICATION					SCALE 1/4		SHEET 2 OF 2		

50226