

LIST OF MATERIAL-CONTRACTOR SUPPLIED					
ITEM NO.	QTY REQD	PART NO.	DESCRIPTION	MATERIAL	MATERIAL SPEC
1	1		FIXED RODMETER ASSY	IC/E-46-6	MIL-U-18033
	REF		SENSING ELEMENT ASSY	FIBERGLAS	
	REF		HULL FITTING ASSY	NI-CU-AL ALY	QQ-N-286, CL A
	REF		ROD END, FIXED	CAST NI-CU ALY	QQ-N-288, COMP E
	REF	30652-1	CAP, HULL FITTING	AL-BRZ ALY	QQ-B-679, COMP I
	REF	30649-1	DOWEL, LOCATING (1/2 DIA)	NI-CU ALY	QQ-N-281, CL A
	REF	AN6227-25	PACKING "O" RING	SYN RUBBER	MIL-P-5516
2	1	30651-1	NUT, HEX	NI-CU ALY	QQ-N-281, CL A
3	1	MS16624-4225	RING, RETAINING EXT	CRES	MIL-R-21248
4	1	30653-1	WASHER	NI-CU ALY	QQ-N-281, CL A
5	1	AN6227-35	PACKING "O" RING	SYN RUBBER	MIL-P-5516
6	1	AN6227-37	PACKING "O" RING	SYN RUBBER	MIL-P-5516
7	1	50216-1	HOUSING, JACK SCREW	CAST CU ALY	QQ-C-390, TYPE II
8	1	40274-1	SCREW, JACKING	NI-CU ALY	QQ-N-281, CL A
9	2	40275-1	SCREW, LOCKING	AL-BRZ ALY	QQ-B-679, COMP 2
10	2	40276-1	STOP	NI-CU-ALY	QQ-N-281, CL A
11	2	AN6227-10	PACKING "O" RING	SYN RUBBER	MIL-P-5516
12	1	50220-501	HULL PLUG ASSY	NI-CU-AL ALY	QQ-N-286, CL A
13	1	1180 1/4 x 1/4	COCK, GROUND, KEY	BRONZE	B62-52
14	4	30647-1	SCREW, CAP, SOCKET HD DRILLED	NI-CU ALY	QQ-N-281, CL A
15	4	30648-1	BOLT, HEX HD DRILLED	NI-CU ALY	QQ-N-281, CL A
16	1	50857-501	LINER	STEEL/MONEL	MIL-S-20166 GRADE "M"
17	1	40826-501	CABLE ASSY (25 FEET)		
18	1	AN6227-21	PACKING "O" RING	SYN RUBBER	MIL-P-5516

REFERENCE DRAWINGS	
MIL-C-24231/3B	MOLDED PLUG

REVISIONS				
ZONE	LTR	DESCRIPTION	DATE	APPROVED

D

D

C

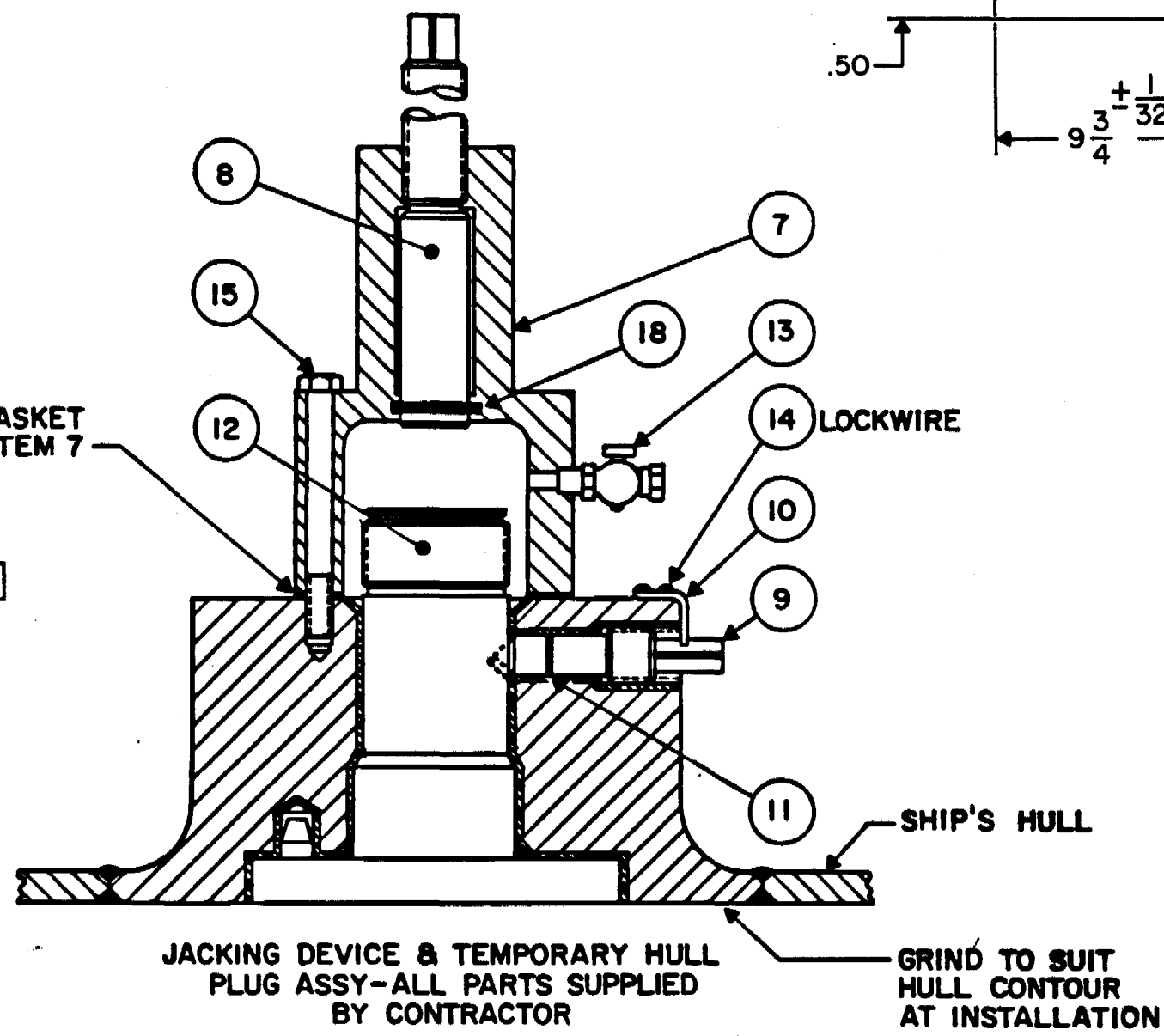
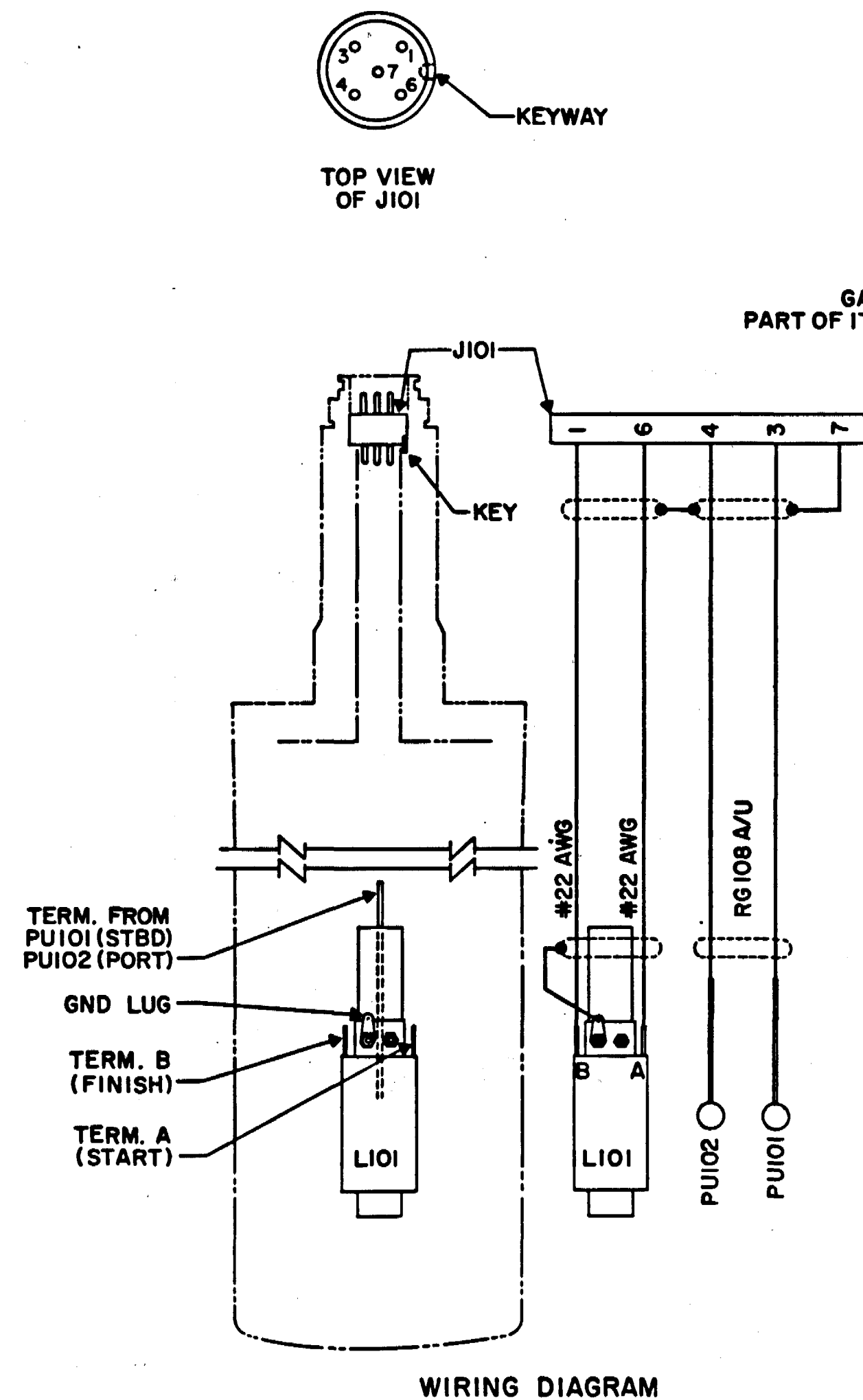
C

B

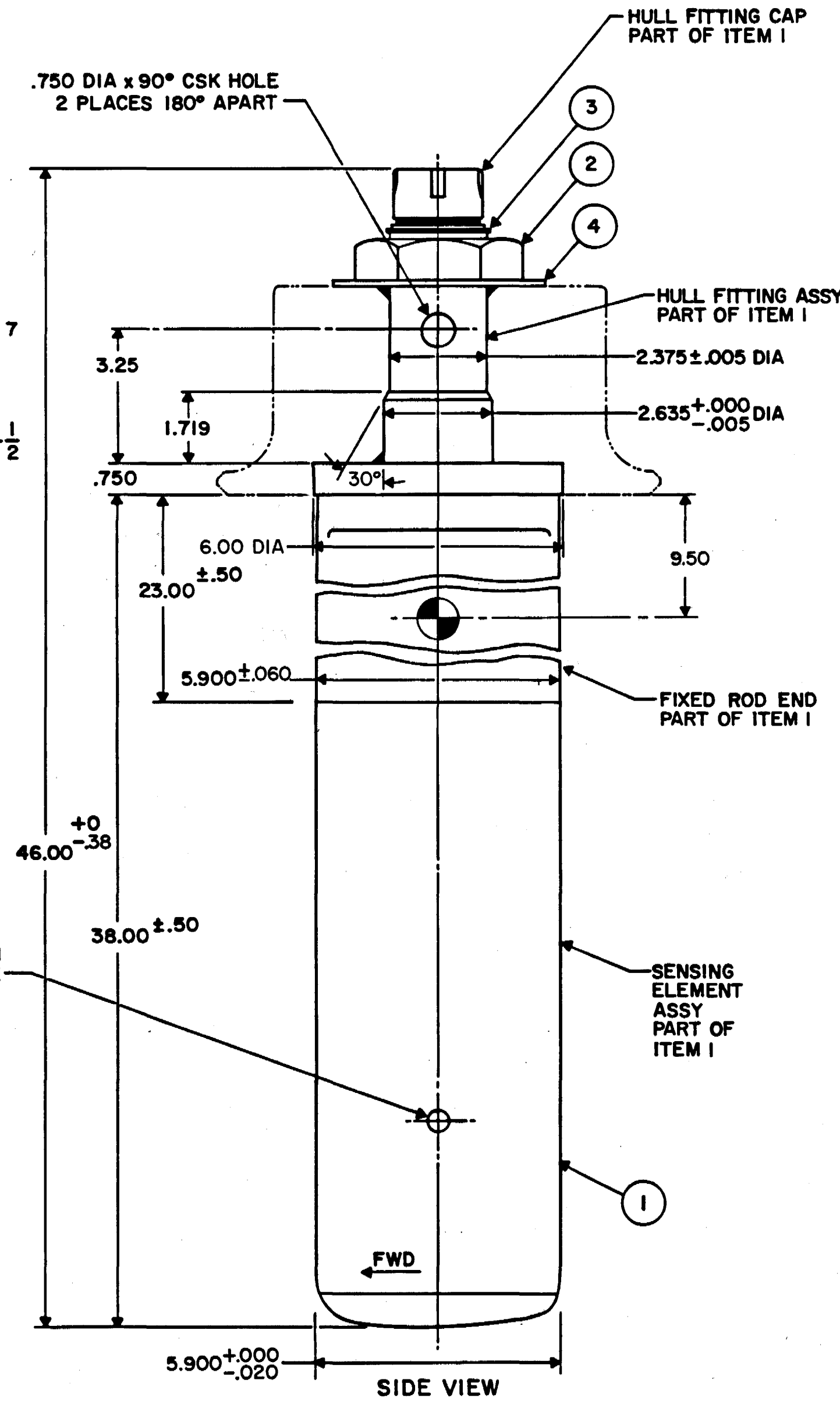
B

A

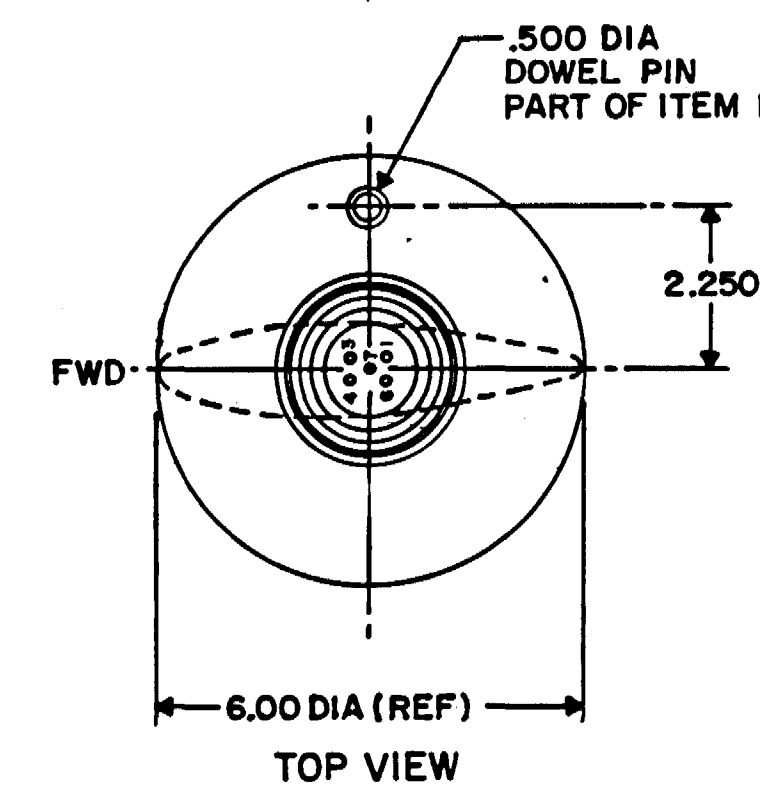
A



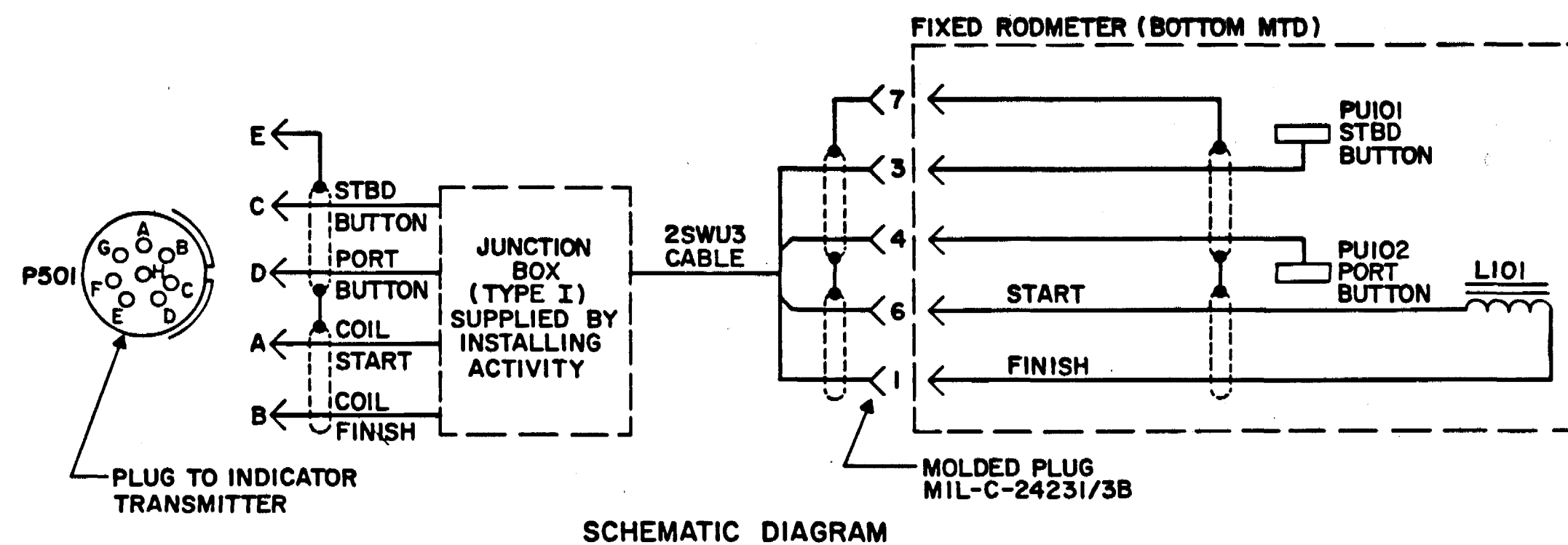
FRONT VIEW



SIDE VIEW



TOP VIEW



SCHMATIC DIAGRAM

NOTES:

- TORQUE REQUIREMENT ON HEX NUT = 100 FT LB MIN.
- LUBRICATE "O" RINGS WITH MOLYCOTE WHEN INSTALLING.
- CABLE SHIELDS MUST BE CONTINUOUS AND SHOULD SHIELD WIRES AS MUCH AS PRACTICABLE.
- AFTER INSTALLING CABLES, BUT BEFORE EQUIPMENT IS CONNECTED, MEGGER AT 500V ALL WIRES AND SHIELDS TO HULL. RESISTANCE SHALL BE GREATER THAN 100 MEG Ω.
- ONLY TYPE I OR TYPE II JUNCTION BOX TO BE USED. CHECK CABLE AND CONNECTOR REQUIREMENTS OF INDICATOR/TRANSMITTER TO BE USED BEFORE INSTALLMENT.
- MOUNTING LOCATION OF FIXED RODMETER(S) TO BE APPROVED BY NAVSEC.
- FORE AND AFT ALIGNMENT OF HULL LINER AND ROD TO BE PARALLEL WITHIN 0°-75' OF SHIP FORE AND AFT AXIS.
- FOR DESCRIPTION OF ELECTRO MAGNETIC LOG SYSTEM SEE INSTRUCTION MANUAL NAVSHIPS 0965-074-1010.
- POWER FOR RODMETER OBTAINED FROM INDICATOR/TRANSMITTER: 50 VOLTS 60Hz 0.750 AMP NORMAL; 0.800 AMP MAX. SIGNAL FROM BUTTONS 60Hz 13MV MAX.
- DC RESISTANCE BETWEEN SIGNAL BUTTONS WHEN RODMETER IS IMMERSED VARIES FROM ABOUT 400 TO 40,000 OHMS DEPENDING ON WATER CONDUCTIVITY, METER SCALE AND LENGTH OF TIME METER IS CONNECTED. COIL IMPEDANCE IS APPROXIMATELY 14 + jω0.175.
- HEAT DISSIPATION = 10 WATTS
- THE LOWER TIP OF THE RODMETER SHALL ATTRACT THE SOUTH POLE OF A MAGNET COMPASS WHEN THE COIL IS ENERGIZED WITH 6 VOLTS DC WITH TERMINAL 6 (START) POSITIVE WITH RESPECT TO TERMINAL 1 (FINISH).
- ⊙ INDICATES CENTER OF GRAVITY WITHOUT PLUG.

- WEIGHTS:
 RODMETER ASSY = 80 LB IN AIR, . . LB IN WATER
 JACKING DEVICE ASSY = 34 LB
 CABLE ASSY = 7 LB
 HULL PLUG = 14 LB
 HULL LINER = 70 LB

PRELIMINARY

UNLESS OTHERWISE SPECIFIED DIMENSIONS ARE IN INCHES TOLERANCES ON FRACTIONS DECIMALS ANGLES 2 PL DEC ±.03 3 PL DEC ±.010 ±0°-30°		DRAWING STARTED	DATE	PITOMETER LOG CORP PARAMUS, N.J.	
MATERIAL: AS SPECIFIED		DRAWN <i>Vincent C. Giunta</i> 21 NOV 80		FIXED RODMETER IC/E 46-6 THRU HULL MTG UNDERWATER LOG EQUIP OUTLINE & INSTALLATION	
FINISH:		ENGR		SIZE	CODE IDENT NO.
NEXT ASSY		USED ON		D 47496	50871
APPLICATION				SCALE 3/8"=1"	SHEET